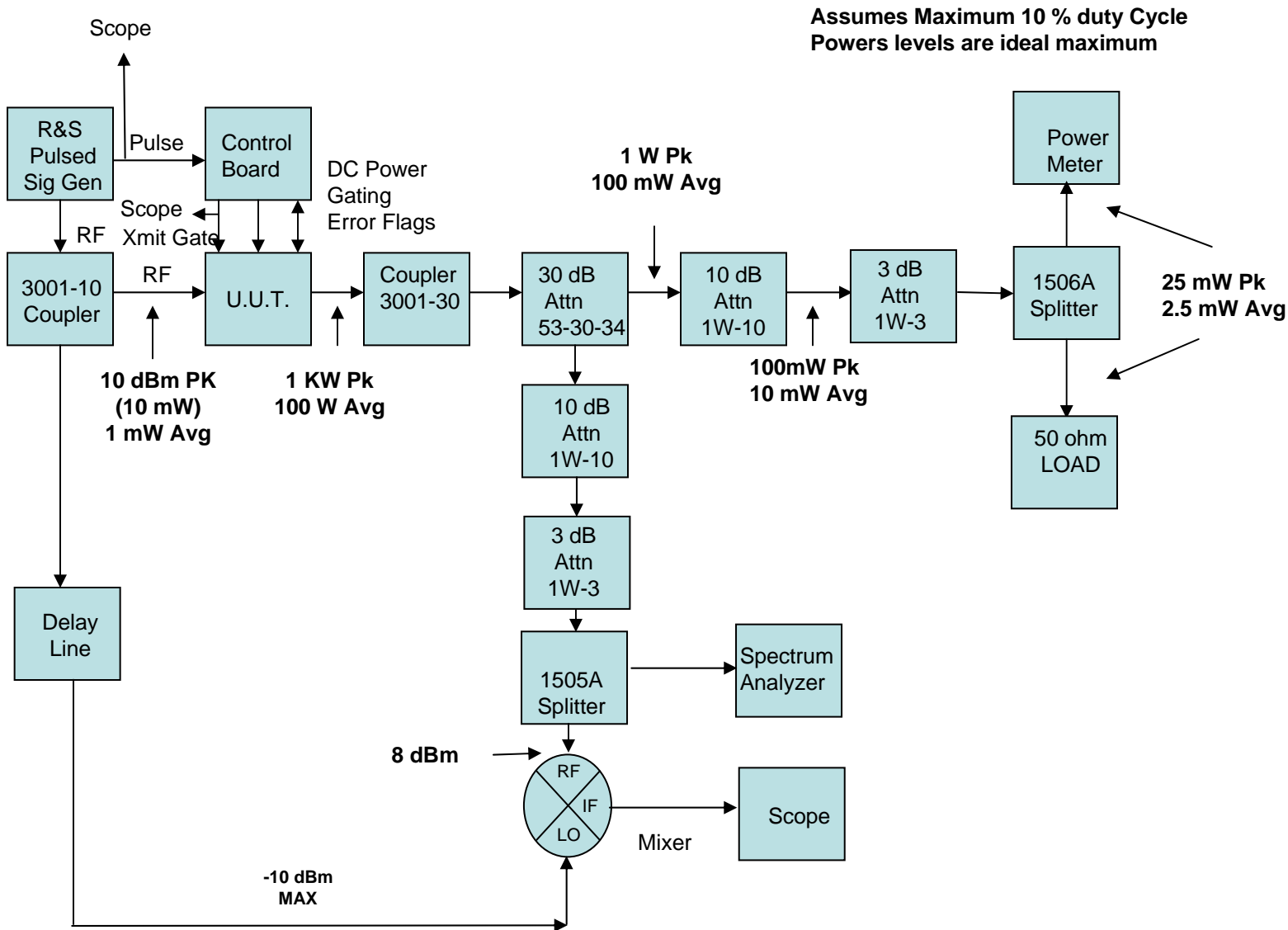


Assumes Maximum 10 % duty Cycle
Powers levels are ideal maximum
Actual levels will be less

Basic RF Amp Test Setup



Phase Measurement RF Amp Test Setup