

Check Deformation

Checking deformation is a good start to verify if results are reasonable. The maximum displacement for your whole model is: **0.000183051m**.

Design Insight | Report | Offloaded Simulation

Compare Results | Plot Tools | Include Image for Report | Manage Network

Navigation icons: Home, Back, Forward, Refresh, etc.

Simulation Advisor

- 1 Study ✓
- 2 Bodies and Material ✓
- 3 Interactions ✓
- 4 Mesh and Run ✓
- 5 Results** ✓

Check Deformation

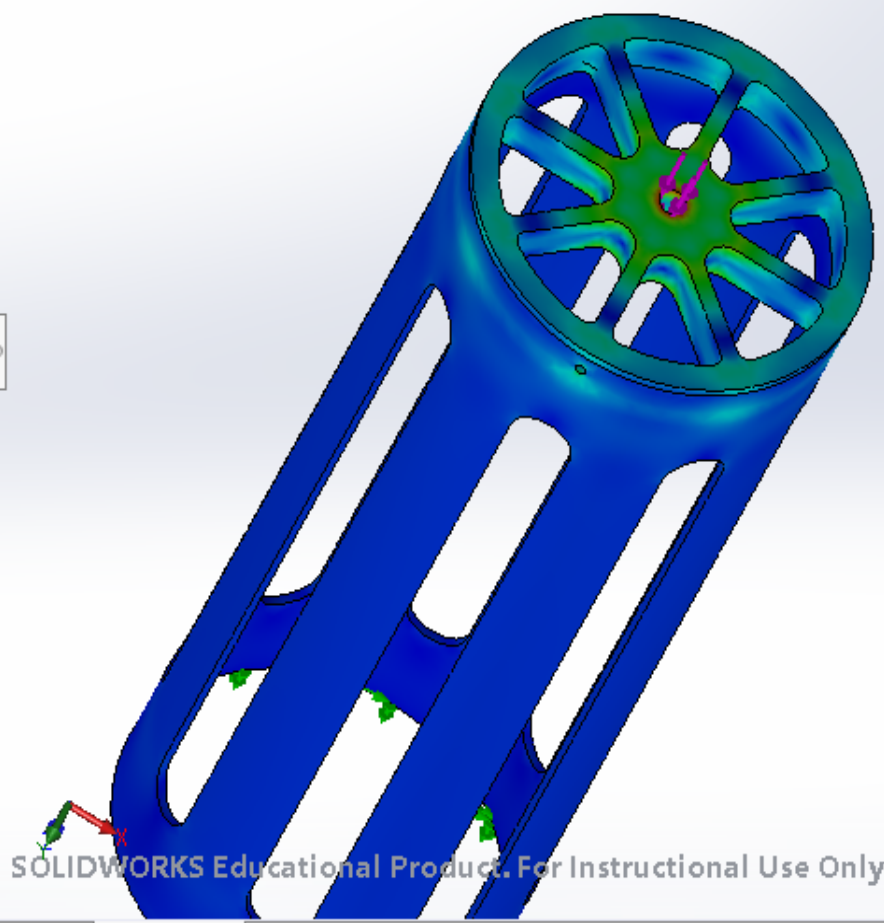
Checking deformation is a good start to verify if results are reasonable. The maximum displacement for your whole model is: **0.000183051m**.

▶ ▶

Review the animation carefully and select one of the following options:

- ➔ Overall deformation shape does not look correct.
- ➔ Magnitude does not look correct.
- ➔ Deformation near at least one load, fixture, connector, or part-part interaction does not look correct.
- ➔ Everything looks reasonable.
- ➔ Finished with Results Advisor.

Deformation scale: 1



Static 1 (-Default-)

- Parts
- Connections
 - Component Contacts
 - Contact Sets
- Fixtures
- External Loads
 - Force-1 (:Per item: -720 N:)
- Mesh
- Result Options
- Results
 - Stress1 (-vonMises-)**
 - Displacement1 (-Res disp-)
 - Strain1 (-Equivalent-)
 - Displacement1{1} (-Displaceme

SOLIDWORKS Educational Product. For Instructional Use Only.

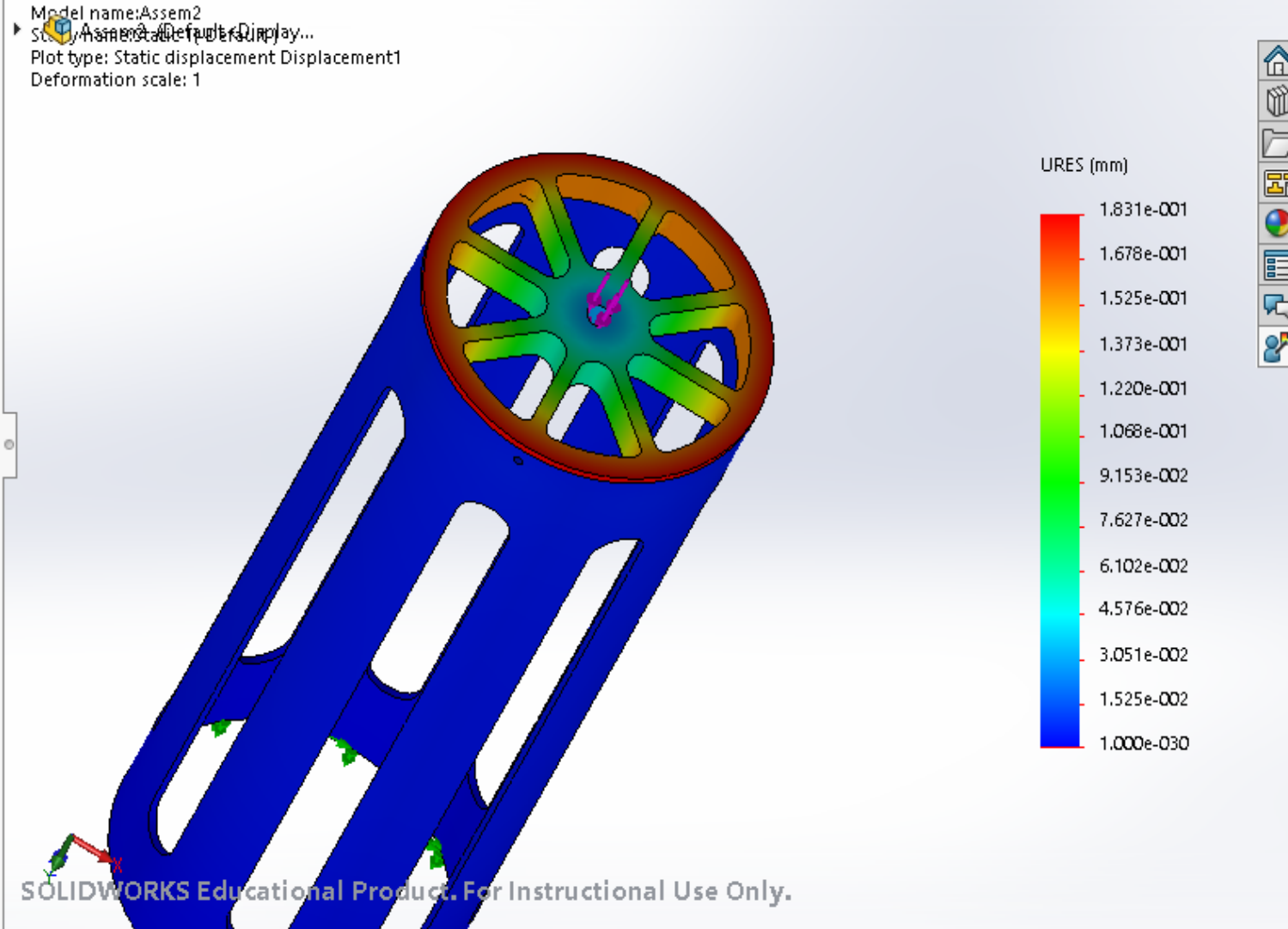
New Study
Apply Material
Fixtures Advisor
External Loads Advisor
Connections Advisor
Shell Manager
Run This Study
Results Advisor
Deformed Result
Compare Results
Design Insight
Plot Tools
Report
Include Image for Report
Offloaded Simulation
Manage Network

Assembly | Layout | Sketch | Evaluate

SOLIDWORKS Add-Ins | Simulation

Model name: Assem2
Study name: Default1
Plot type: Static displacement Displacement1
Deformation scale: 1

Static 1 (-Default-)
Parts
Connections
Component Contacts
Contact Sets
Fixtures
External Loads
Force-1 (:Per item: -720 N:)
Mesh
Result Options
Results
Stress1 (-vonMises-)
Displacement1 (-Res disp-)
Strain1 (-Equivalent-)
Displacement1{1} (-Displaceme



Simulation Advisor

- 1 Study ✓
- 2 Bodies and Material ✓
- 3 Interactions ✓
- 4 Mesh and Run ✓
- 5 Results ✓

Check Deformation

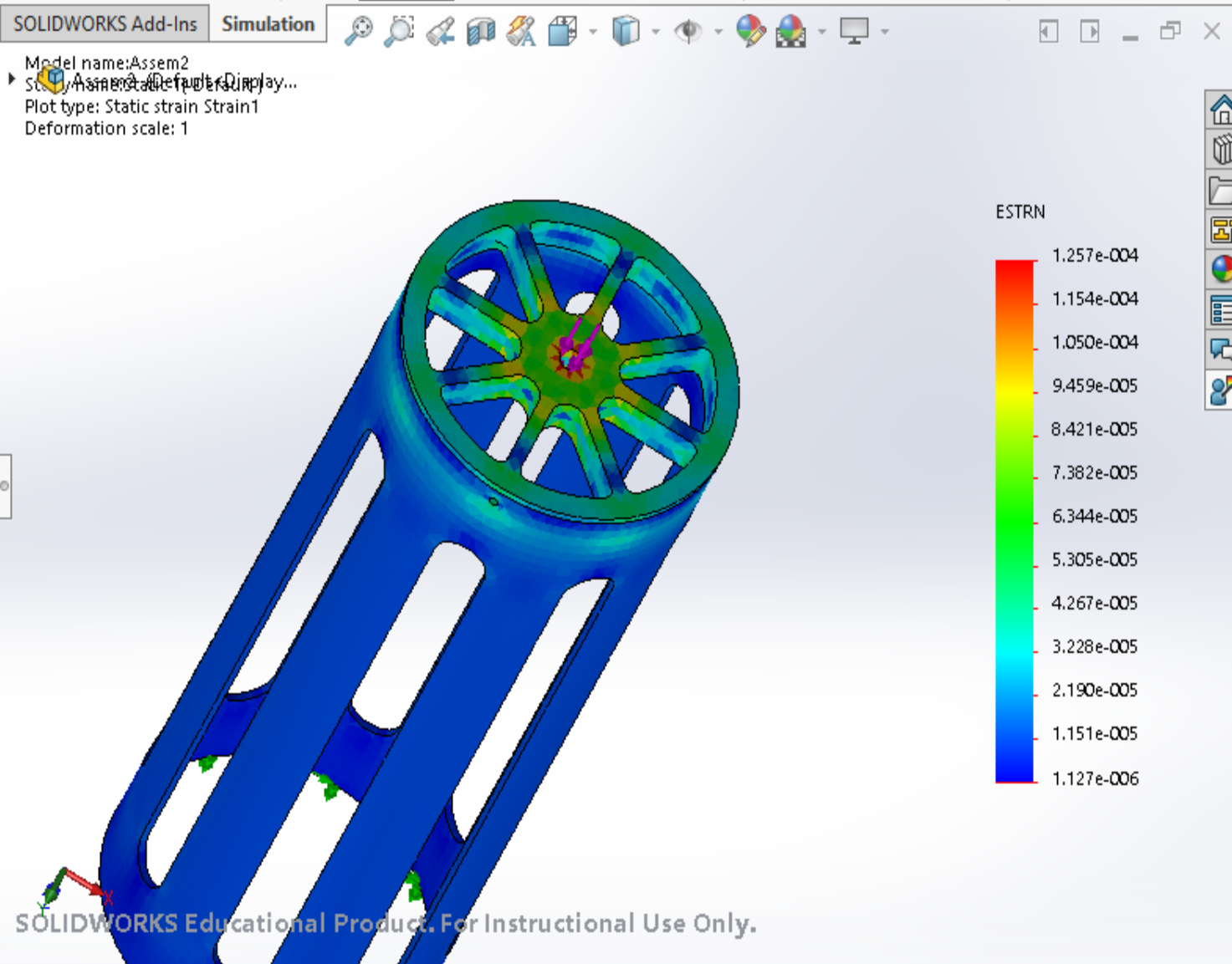
Checking deformation is a good start to verify if results are reasonable. The maximum displacement for your whole model is: **0.000183051m**.

Review the animation carefully and select one of the following options:

- Overall deformation shape does not look correct.
- Magnitude does not look correct.
- Deformation near at least one load, fixture, connector, or part-part interaction does not look correct.
- Everything looks reasonable.
- Finished with Results Advisor.

Navigation and toolbars including: New Study, Apply Material, Fixtures Advisor, External Loads Advisor, Connections Advisor, Shell Manager, Run This Study, Results Advisor, Deformed Result, Compare Results, Plot Tools, Design Insight, Report, Include Image for Report, Offloaded Simulation, Manage Network.

Assembly tree and Simulation tree. Simulation tree includes: Static 1 (-Default-), Parts, Connections, Fixtures, External Loads (Force-1), Mesh, Result Options, Results (Stress1, Displacement1, Strain1, Displacement1{1}).



Simulation Advisor

- 1 Study ✓
- 2 Bodies and Material ✓
- 3 Interactions ✓
- 4 Mesh and Run ✓
- 5 Results** ✓

Check Deformation

Checking deformation is a good start to verify if results are reasonable. The maximum displacement for your whole model is: **0.000183051m**.

Review the animation carefully and select one of the following options:

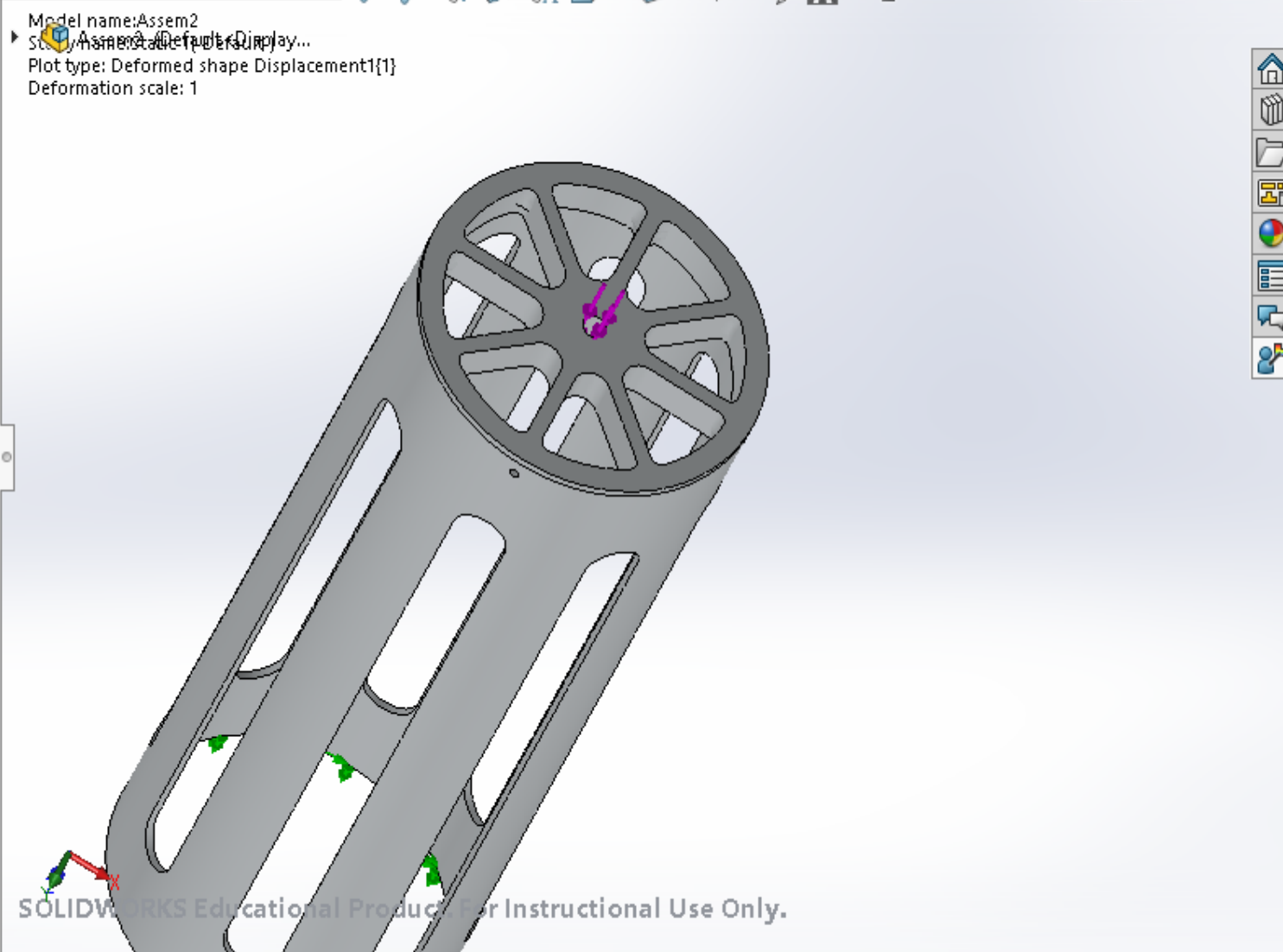
- ➔ Overall deformation shape does not look correct.
- ➔ Magnitude does not look correct.
- ➔ Deformation near at least one load, fixture, connector, or part-part interaction does not look correct.
- ➔ Everything looks reasonable.
- ➔ Finished with Results Advisor.

New Study, Apply Material, Fixtures Advisor, External Loads Advisor, Connections Advisor, Shell Manager, Run This Study, Results Advisor, Deformed Result, Compare Results, Design Insight, Plot Tools, Report, Include Image for Report, Offloaded Simulation, Manage Network

Assembly, Layout, Sketch, Evaluate, SOLIDWORKS Add-Ins, Simulation

Model name: Assem2
Plot type: Deformed shape Displacement1{1}
Deformation scale: 1

Static 1 (-Default-)
Parts
Connections
Force-1 (:Per item: -720 N)
Mesh
Result Options
Results
Displacement1{1} (-Displacement1)



Simulation Advisor

- 1 Study ✓
- 2 Bodies and Material ✓
- 3 Interactions ✓
- 4 Mesh and Run ✓
- 5 Results** ✓

Check Deformation

Checking deformation is a good start to verify if results are reasonable. The maximum displacement for your whole model is: **0.000183051m**.

Review the animation carefully and select one of the following options:

- Overall deformation shape does not look correct.
- Magnitude does not look correct.
- Deformation near at least one load, fixture, connector, or part-part interaction does not look correct.
- Everything looks reasonable.
- Finished with Results Advisor.