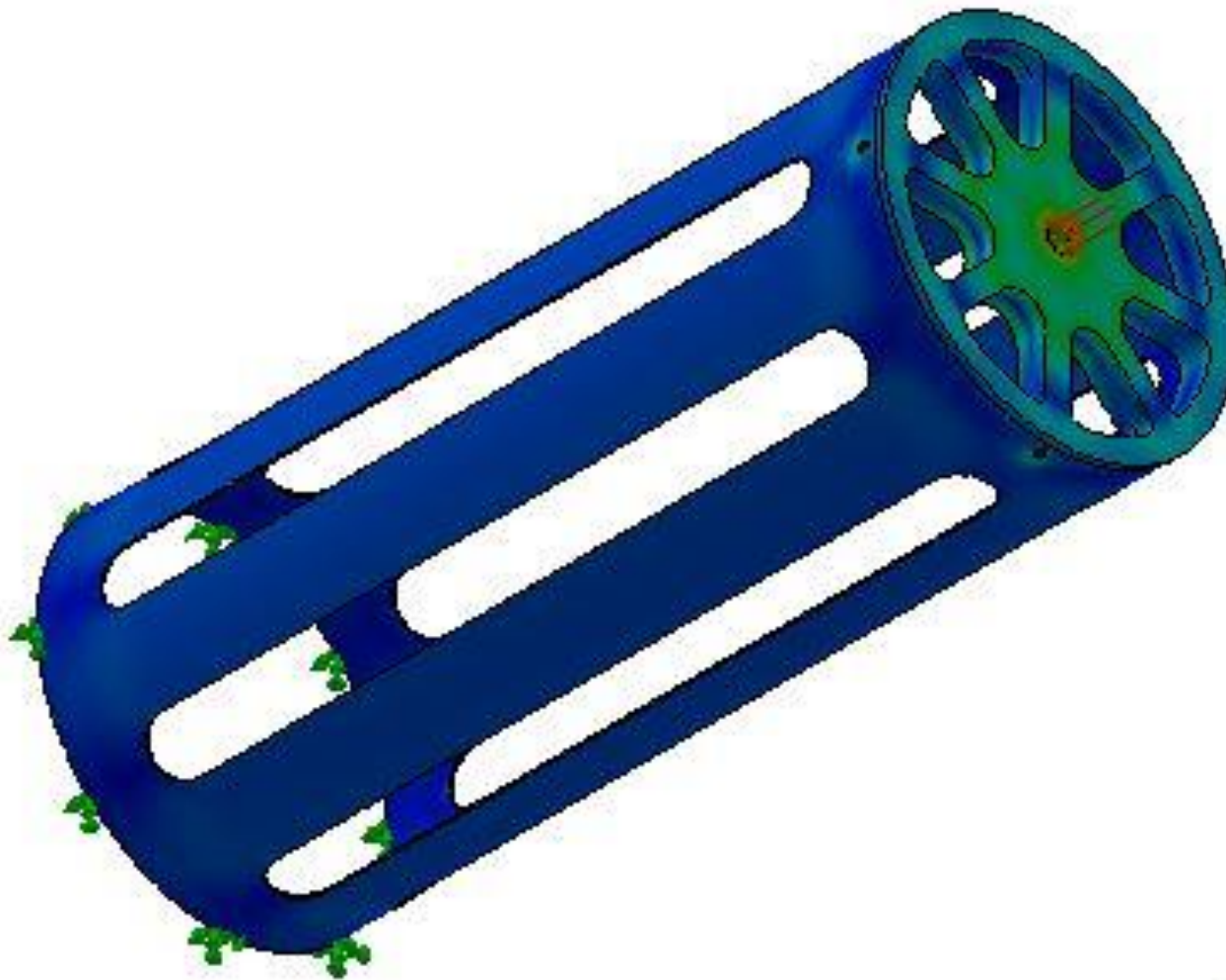


360lb Simulation (1x FoS)



von Mises (N/m²)

4.437e+007

4.069e+007

3.701e+007

3.333e+007

2.964e+007

2.596e+007

2.228e+007

1.860e+007

1.492e+007

1.124e+007

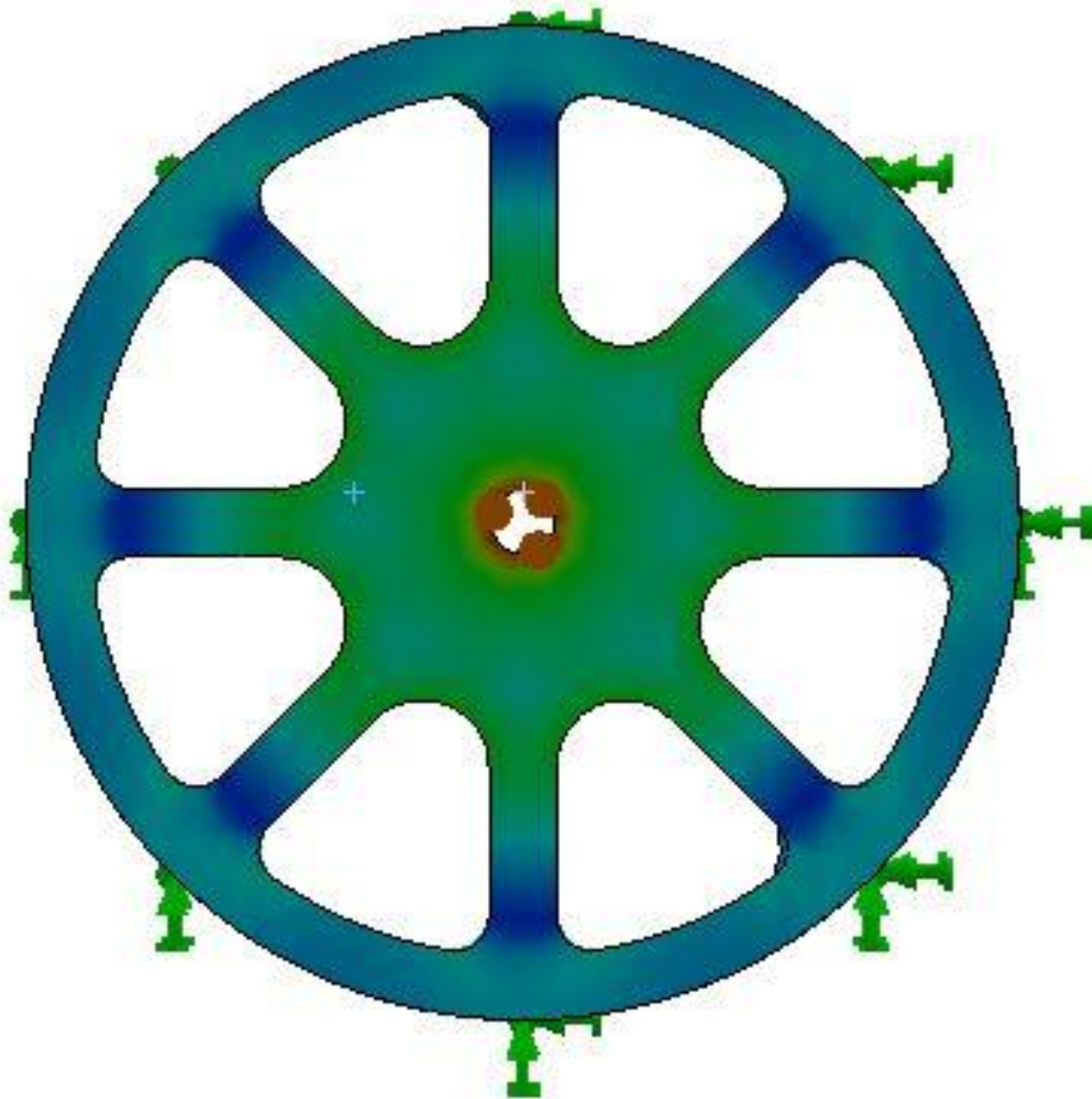
7.561e+006

3.881e+006

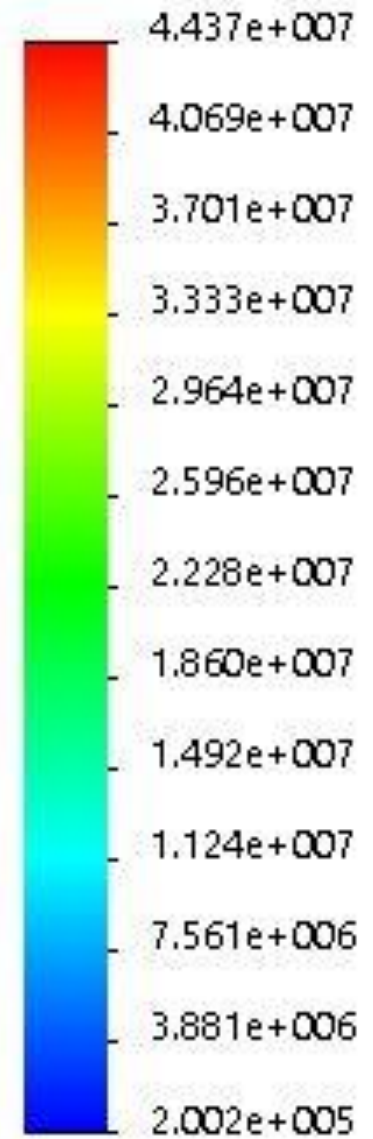
2.002e+005

→ Yield strength: 5.515e+007

360lb Simulation (1x FoS)

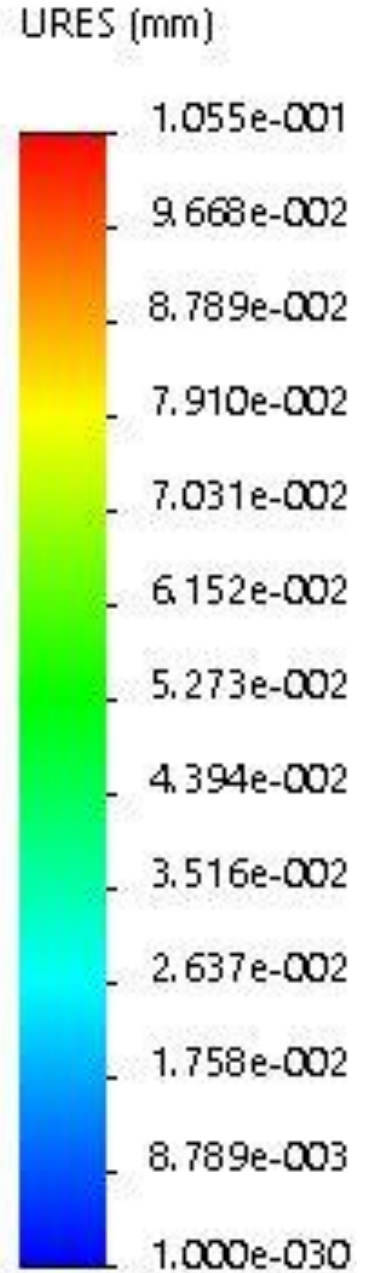
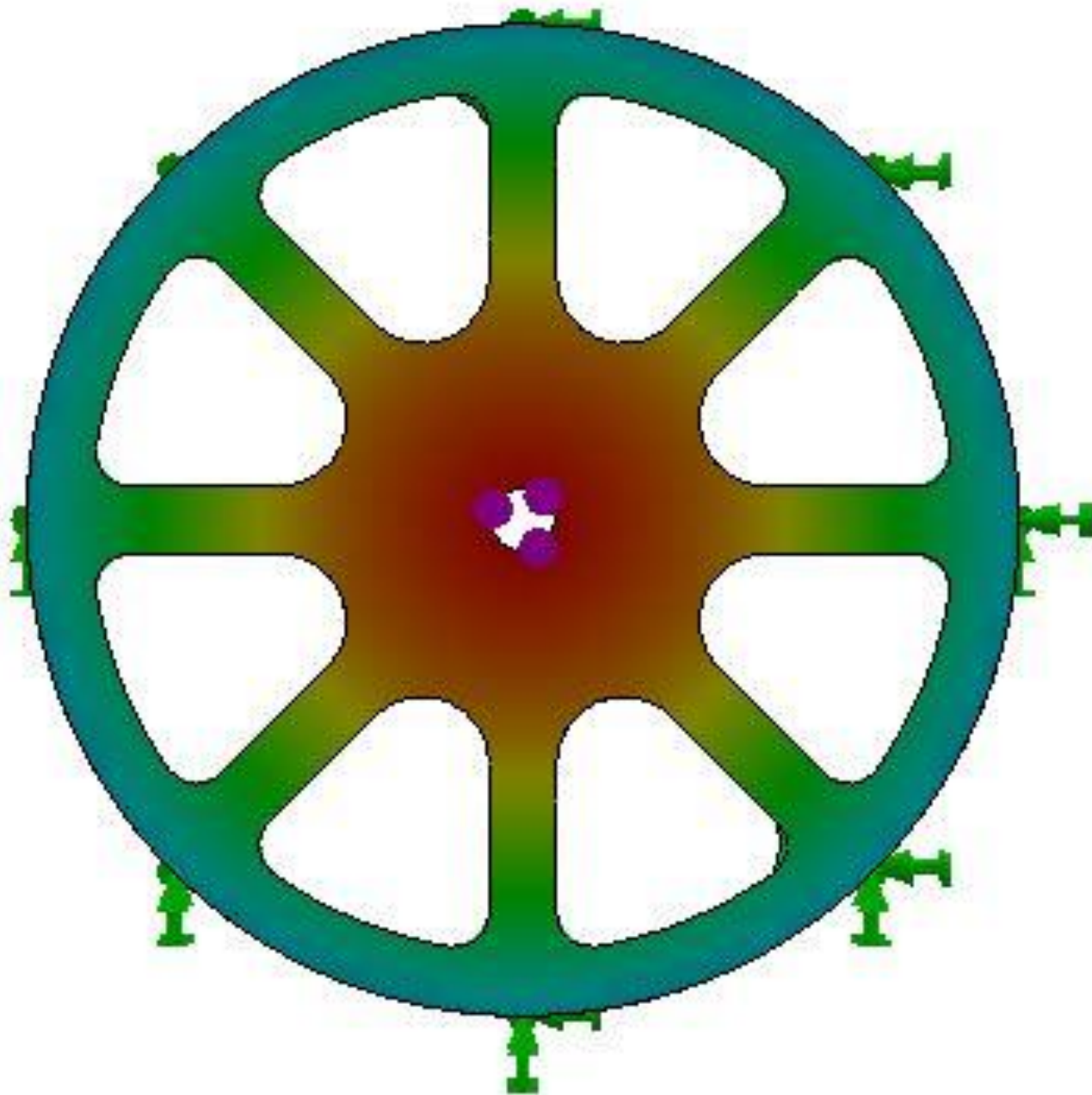


von Mises (N/m²)

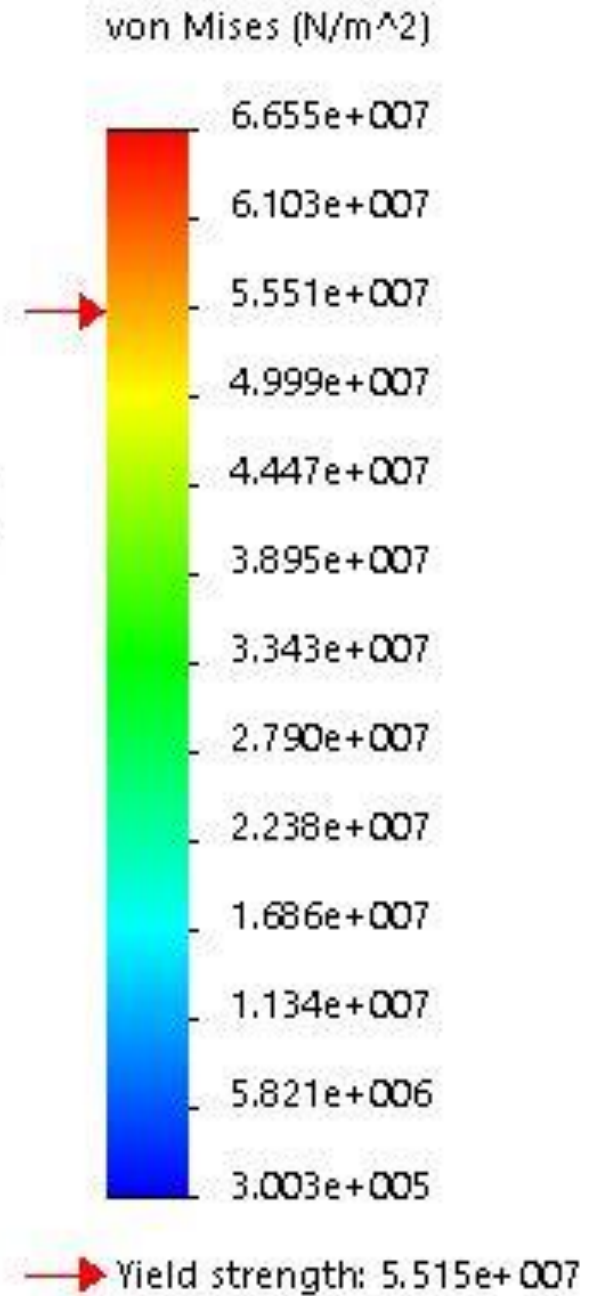
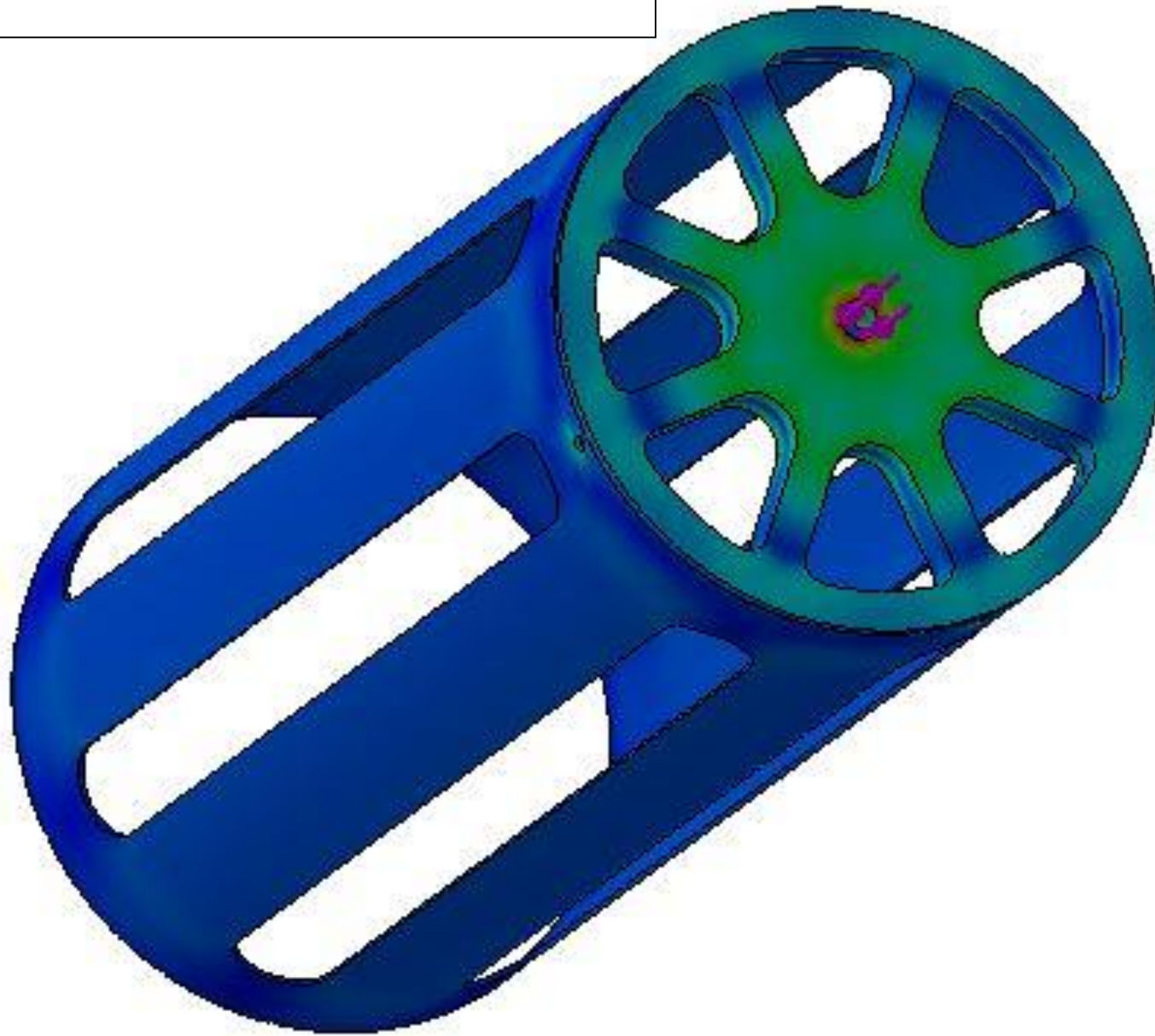


→ Yield strength: 5.515e+007

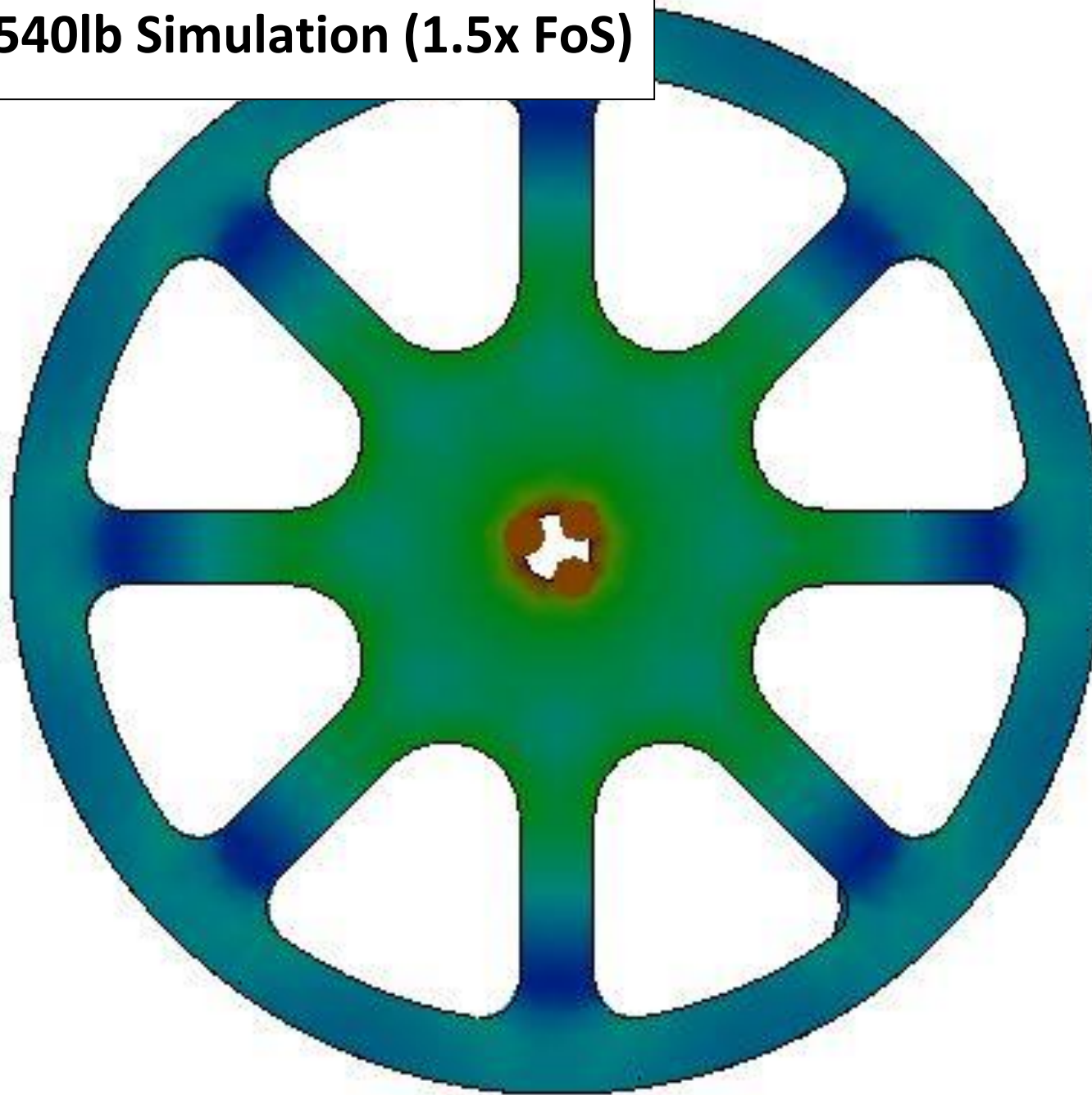
360lb Simulation (1x FoS)



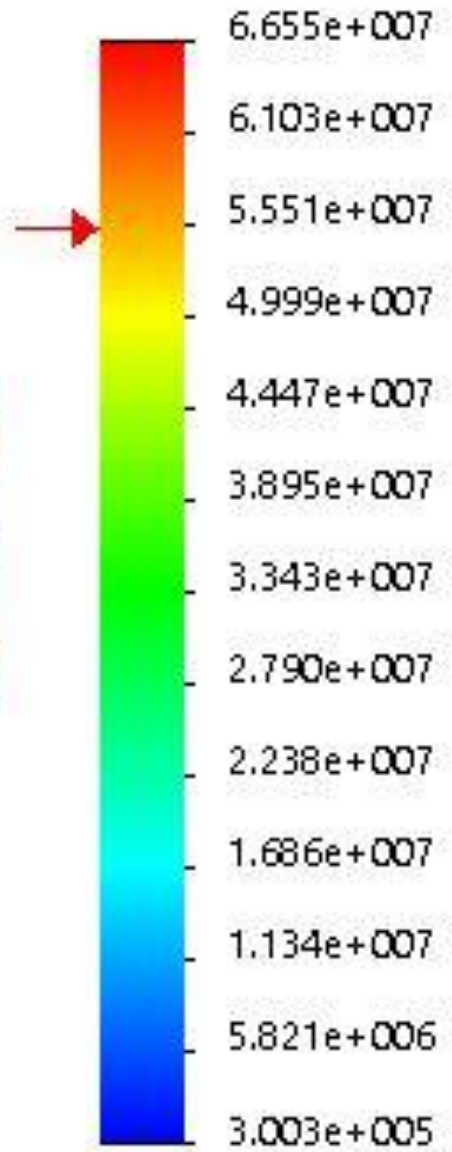
540lb Simulation (1.5x FoS)



540lb Simulation (1.5x FoS)

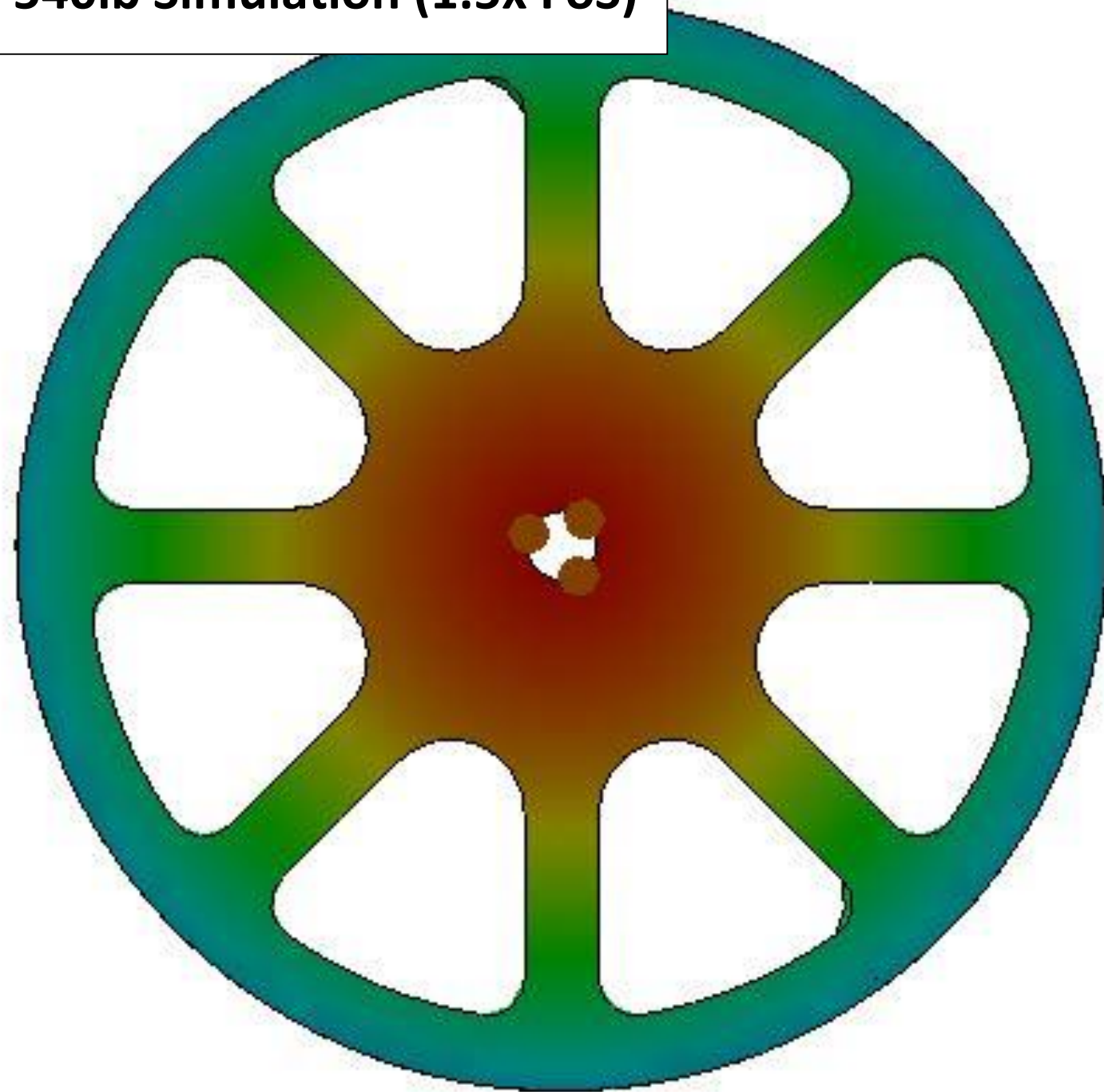


von Mises (N/m²)

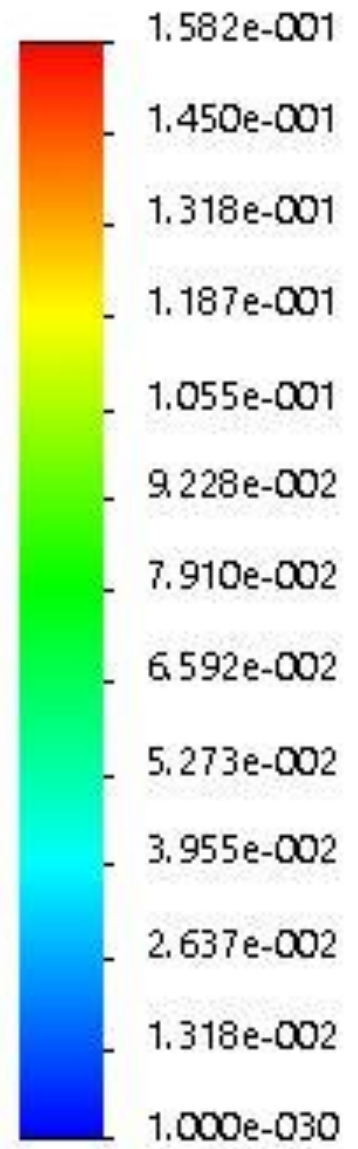


→ Yield strength: 5.515e+007

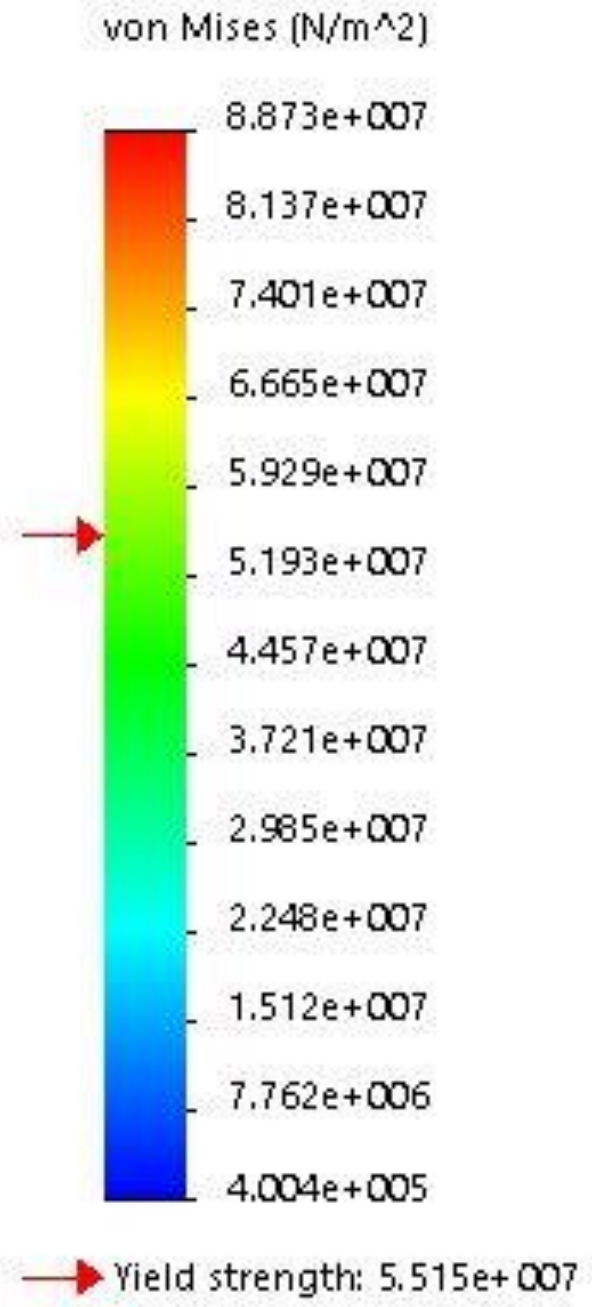
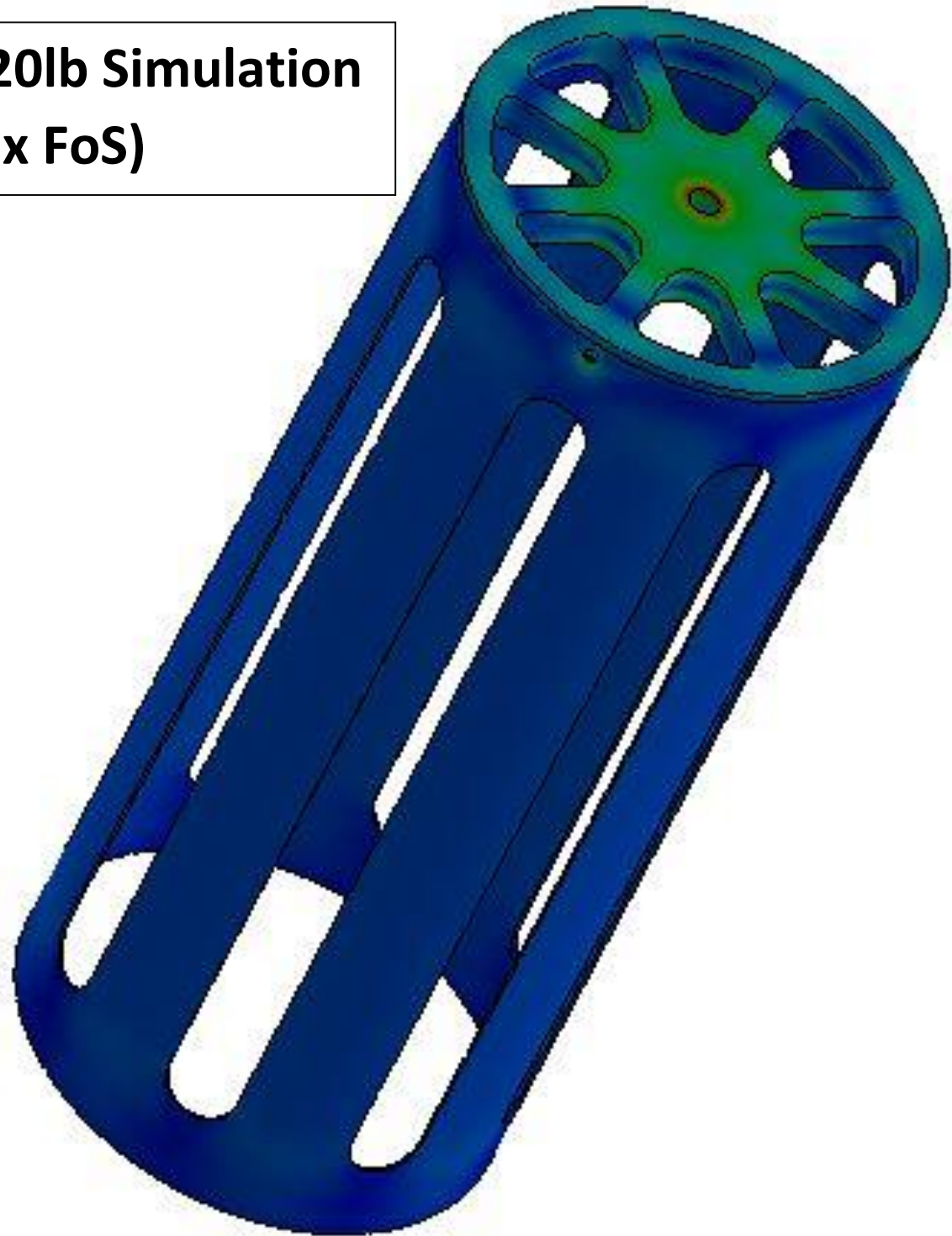
540lb Simulation (1.5x FoS)



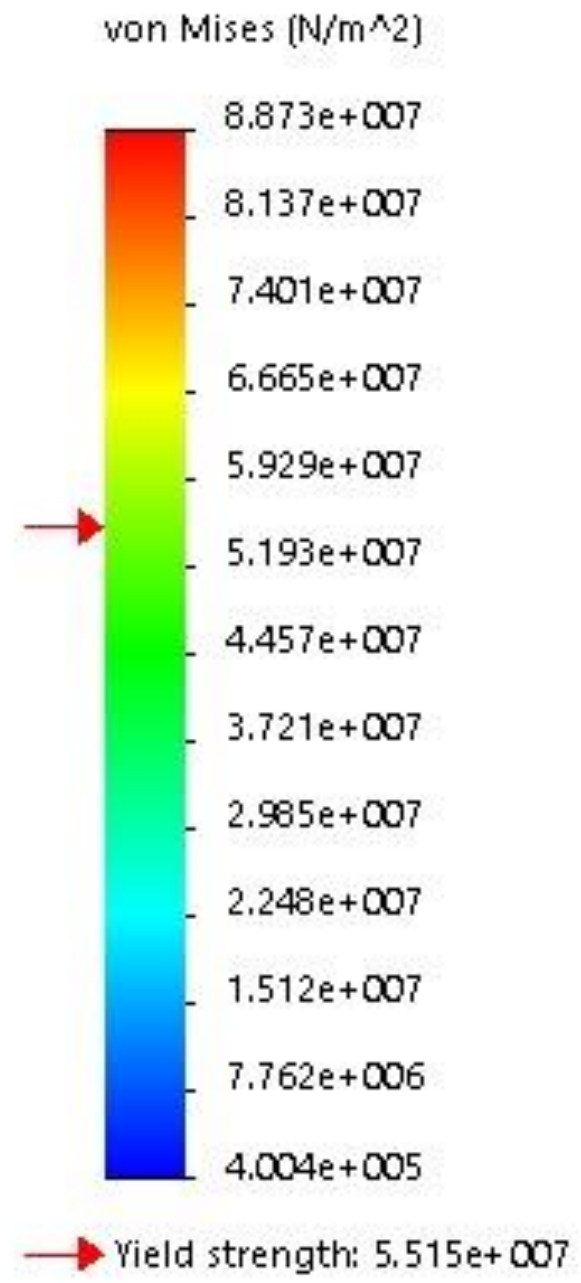
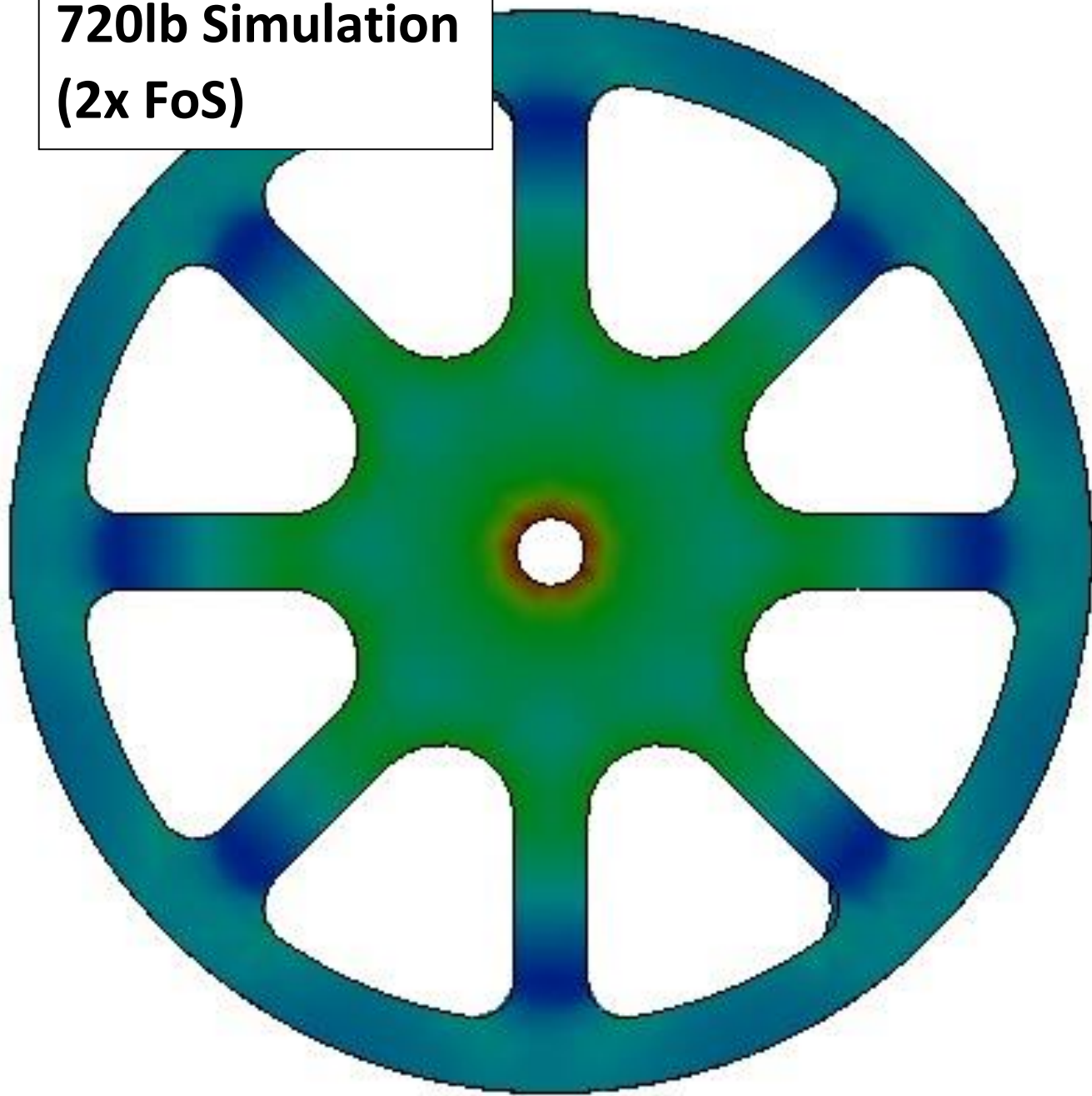
URES (mm)



**720lb Simulation
(2x FoS)**



**720lb Simulation
(2x FoS)**



**720lb Simulation
(2x FoS)**

