

6

5

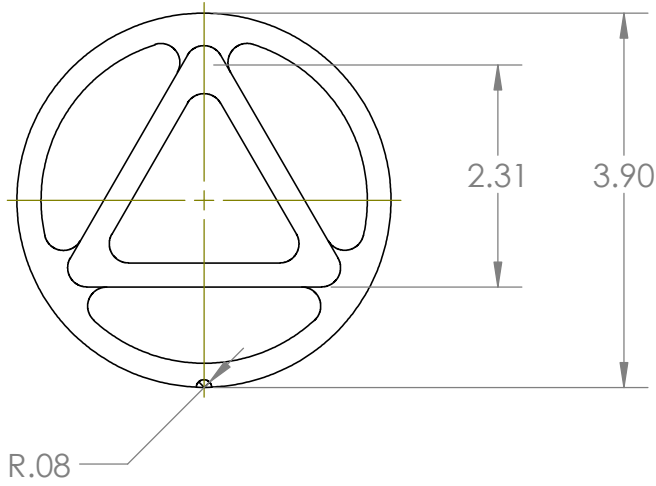
4

3

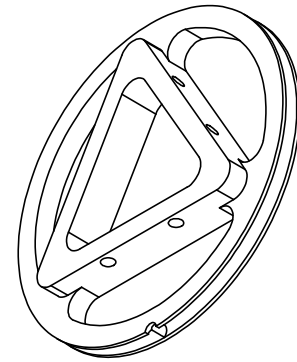
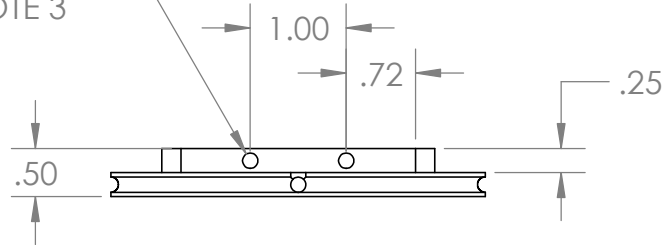
2

1

- 1. Print via FDM
- 2. THIS IS A DIGITALLY MANUFACTURED PART. ALL DIMENSIONS ARE FOR REFERENCE ONLY. THE CAD FILE SHALL BE THE MASTER FOR ALL DIMENSIONS NOT LISTED HERE



6X HOLES  
10-32 TAPPED  
SEE NOTE 3



UNLESS OTHERWISE SPECIFIED: DIMENSIONS ARE IN MILLIMETERS SURFACE FINISH: TOLERANCES: LINEAR: ±0.010" ANGULAR:		FINISH:  AS PRINTED		DEBURR AND BREAK SHARP EDGES		DO NOT SCALE DRAWING		REVISION	
						TITLE: <b>AVOINICS MOUNT</b>			
DRAWN		NAME		SIGNATURE		DATE			
CHK'D		JON ROSARIO				11/17/20			
APPV'D									
MFG									
Q.A									
						MATERIAL:  ABS/PLA		DWG NO.  B-AV002	
						WEIGHT:		SCALE:1:2	
								SHEET 1 OF 1	
								A4	

6

5

4

3

2

1