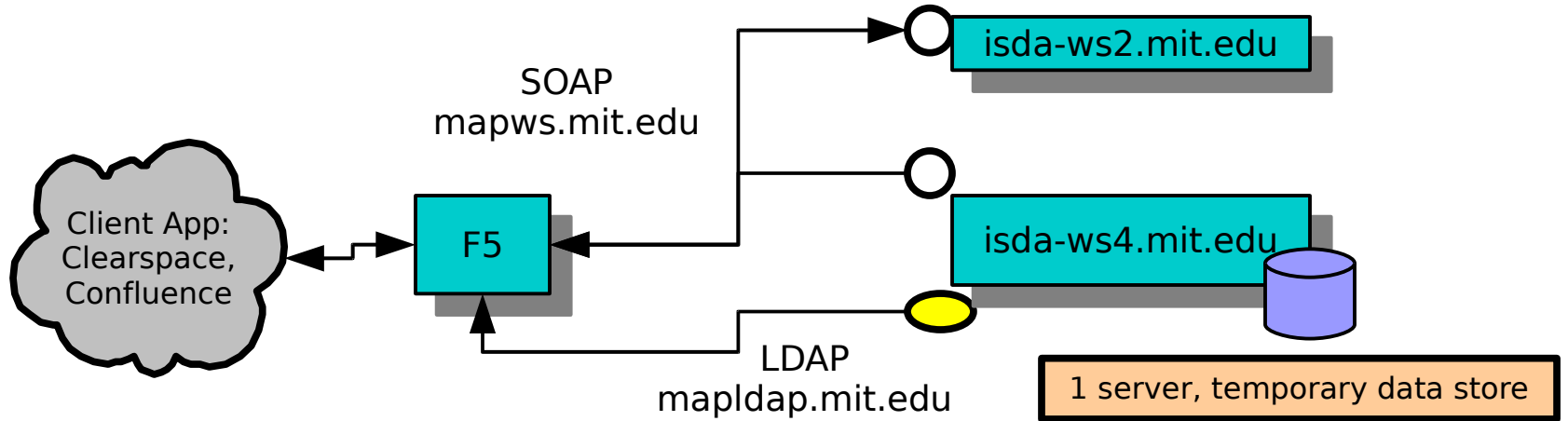
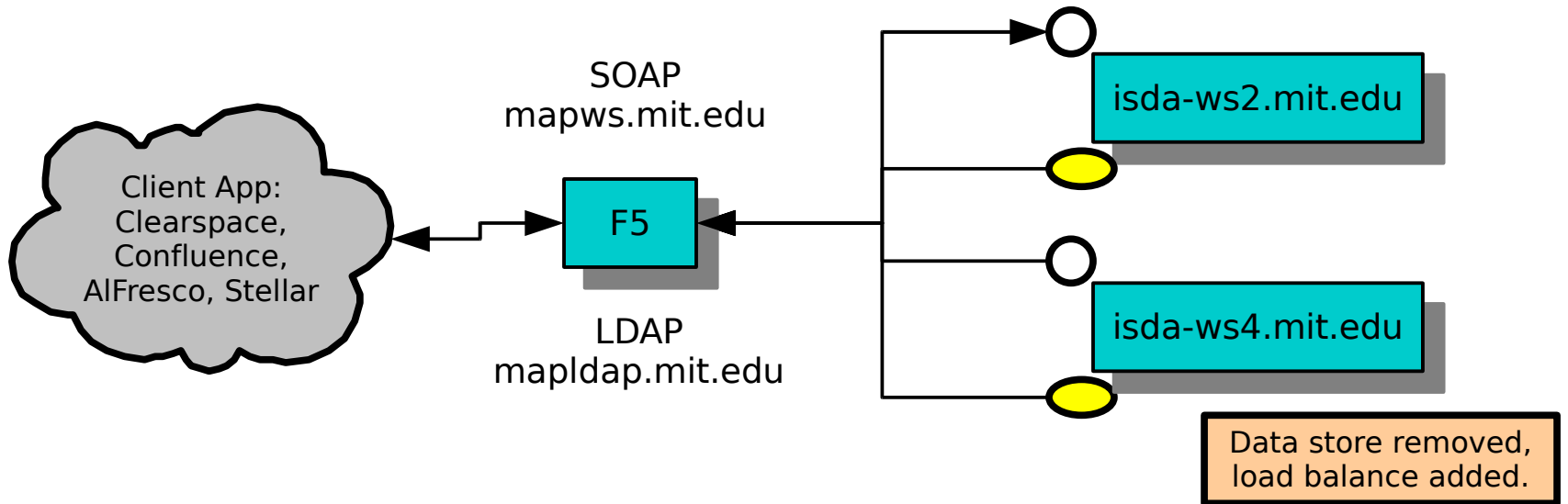


# LDAP Topology Guide

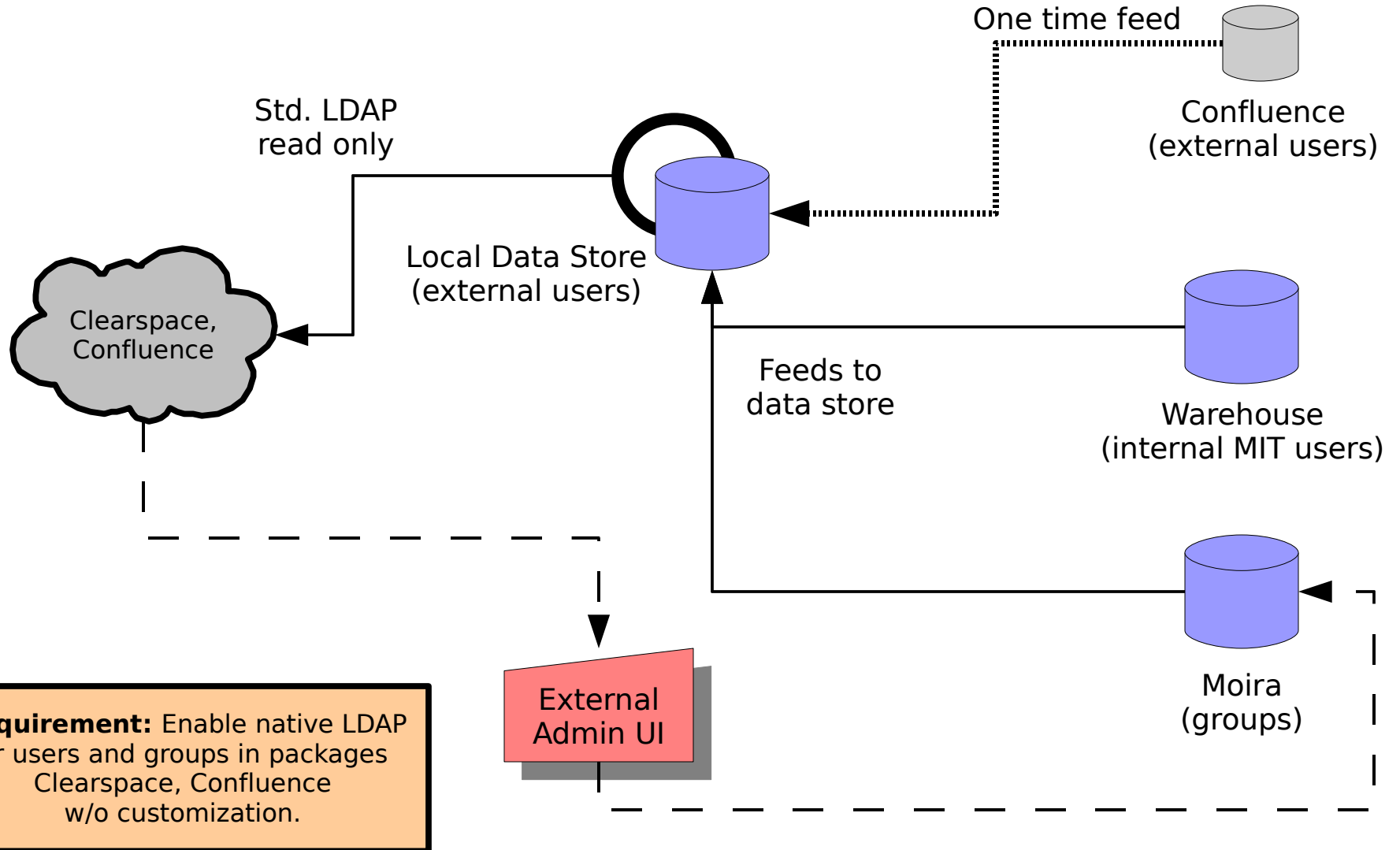
Sprints 1, 2



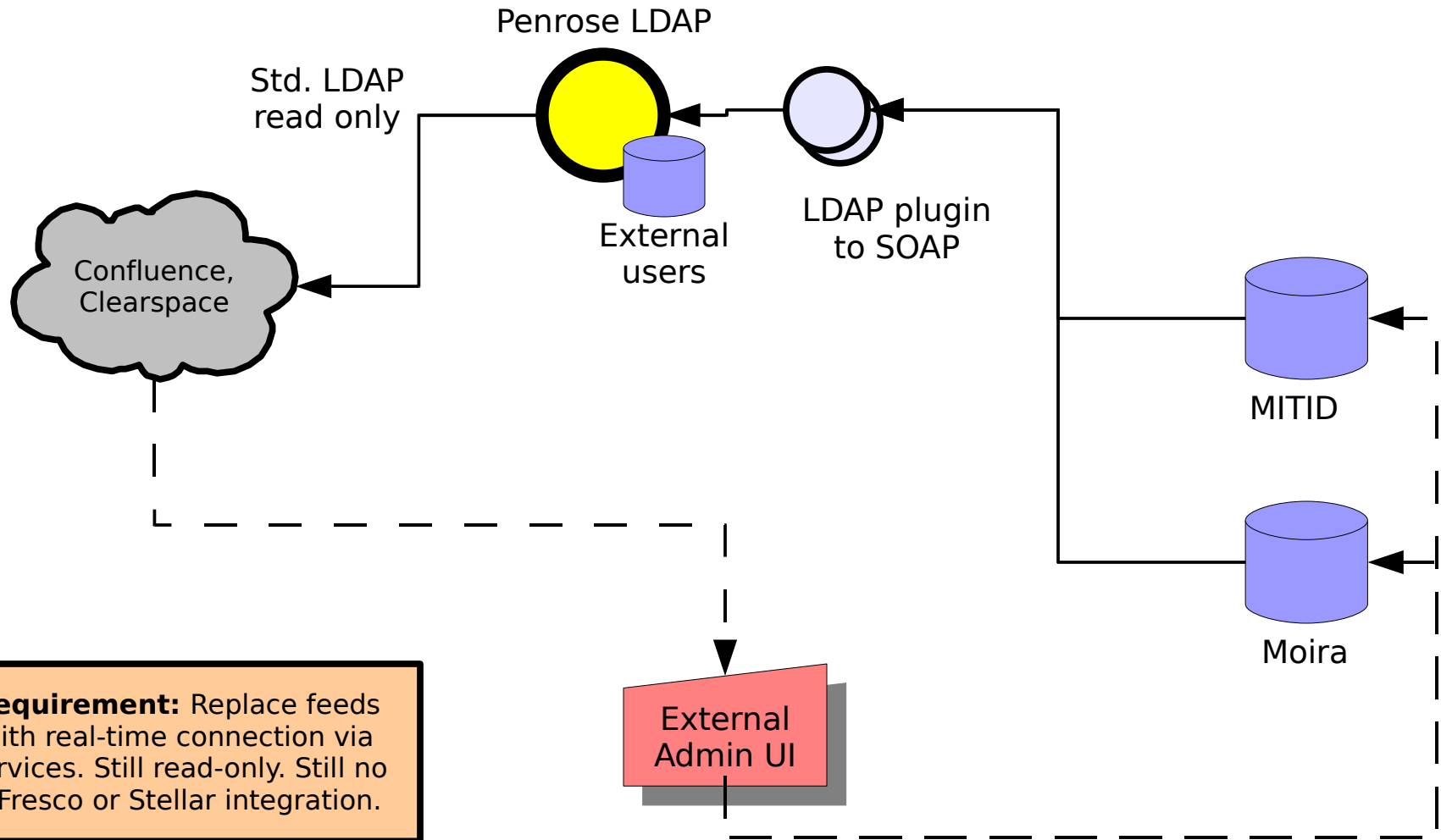
Final



# LDAP Integration Guide: Sprint 1, Feeds

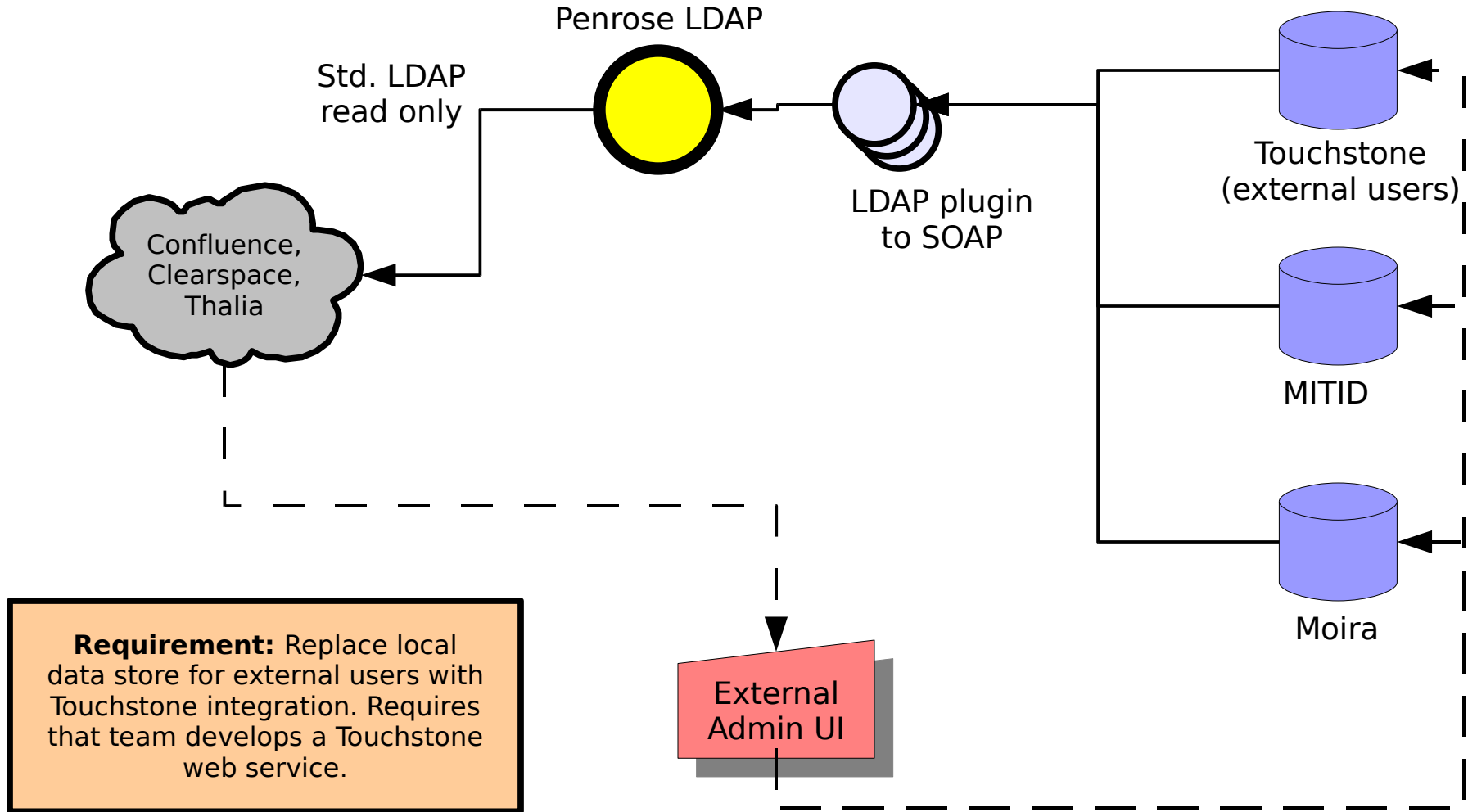


# LDAP Integration Guide: Sprint 2, Web Services

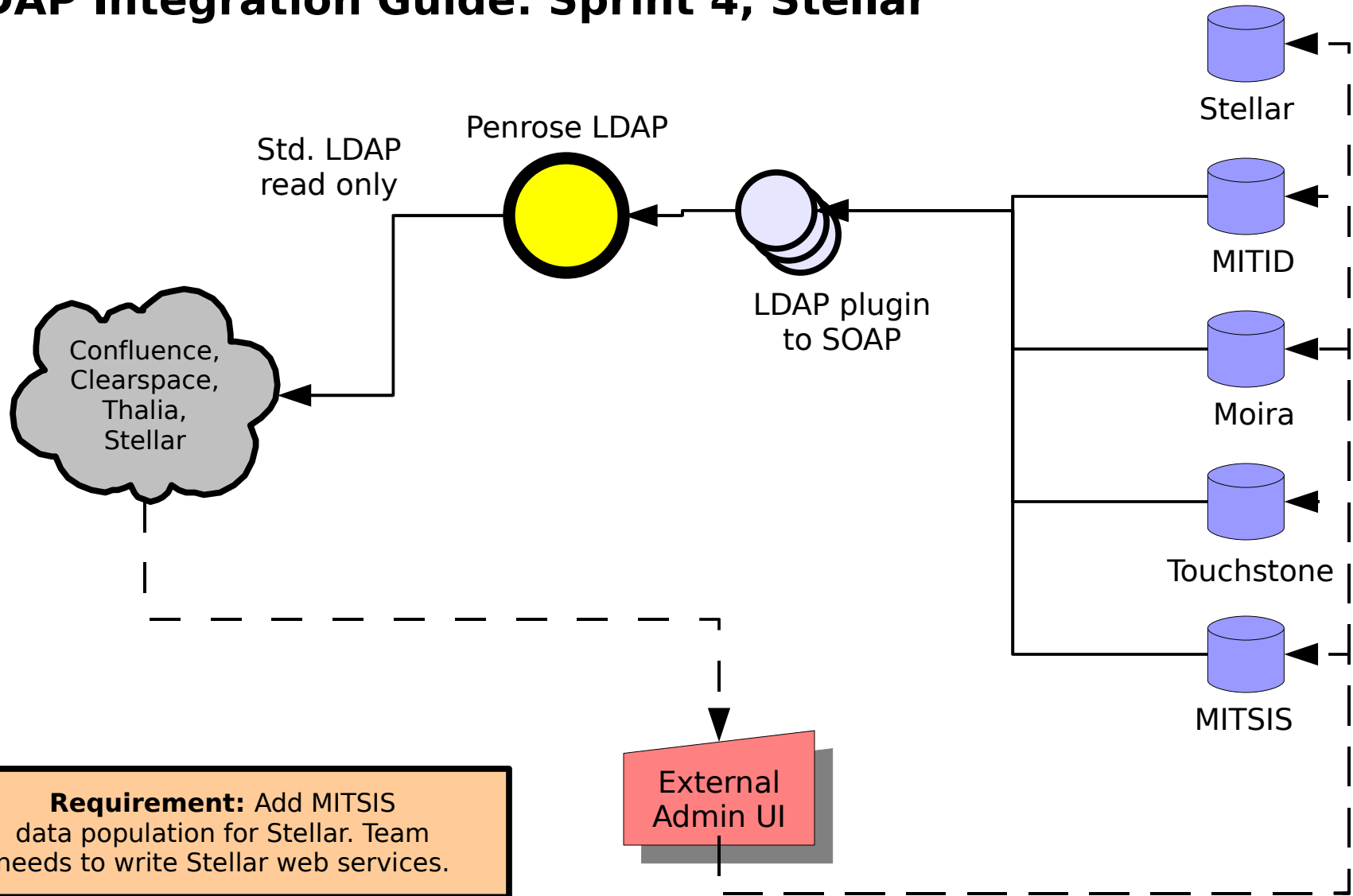


**Requirement:** Replace feeds with real-time connection via services. Still read-only. Still no Alfresco or Stellar integration.

# LDAP Integration Guide: Sprint 3, Touchstone



# LDAP Integration Guide: Sprint 4, Stellar



**Requirement:** Add MITSIS data population for Stellar. Team needs to write Stellar web services.