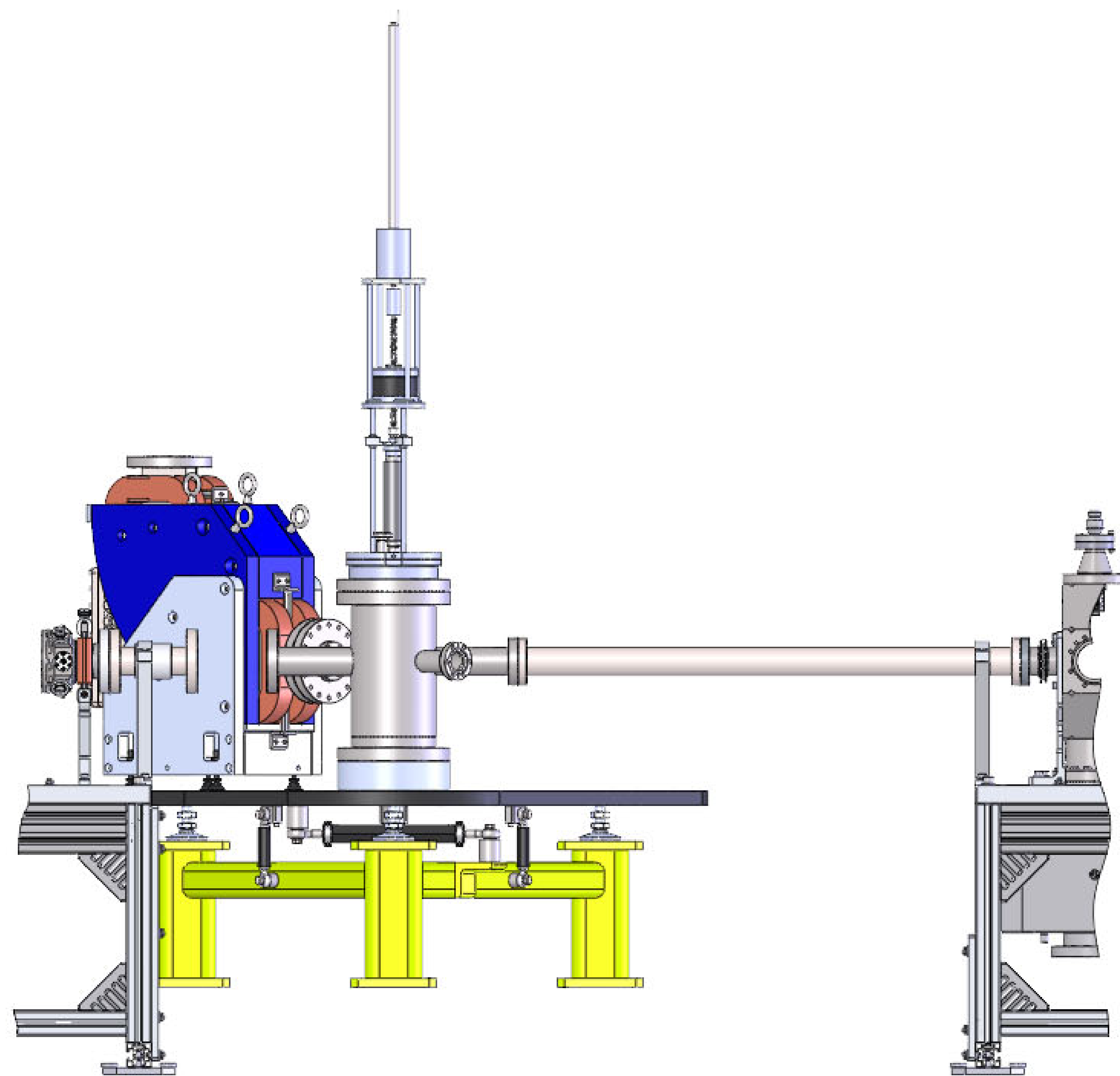
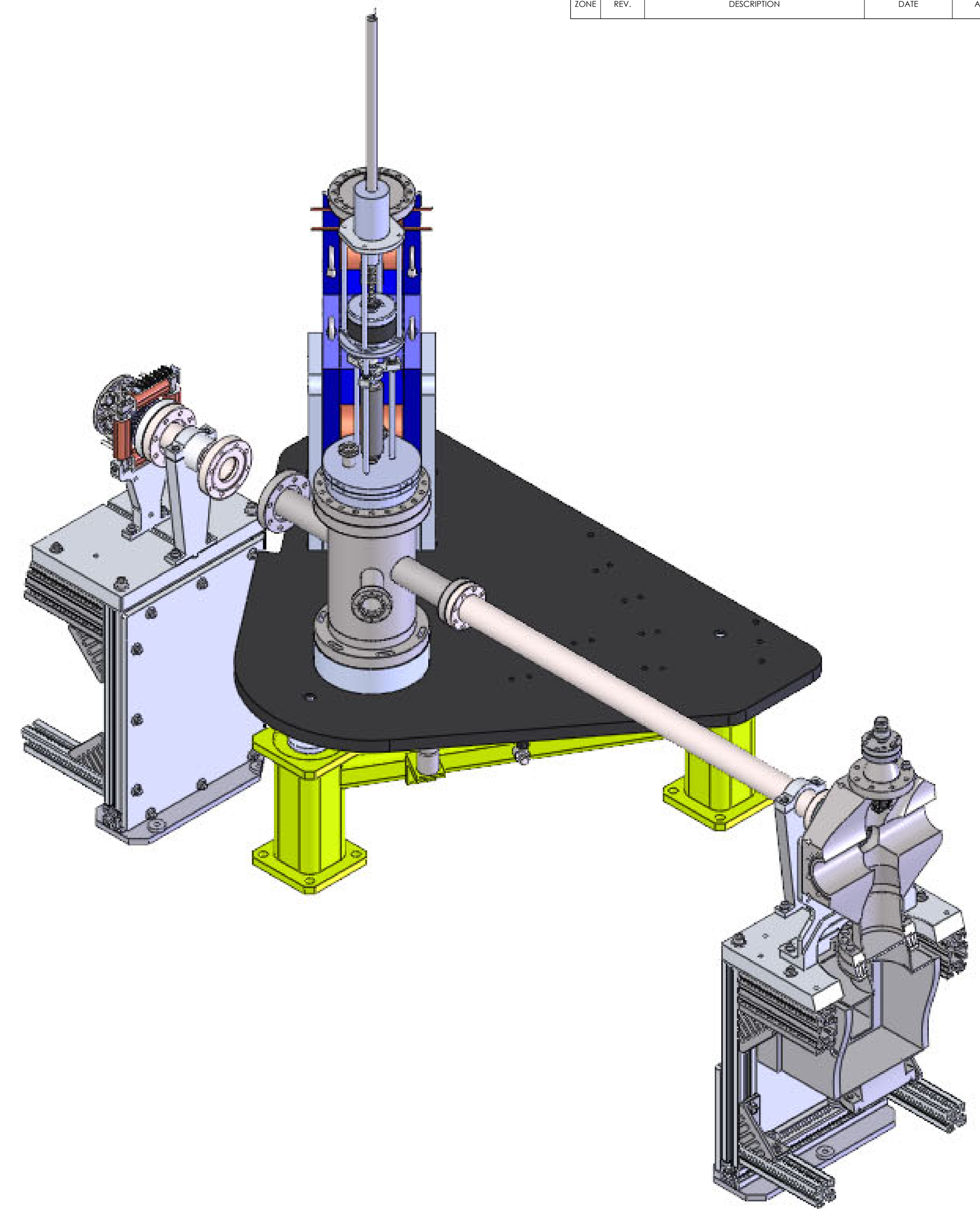
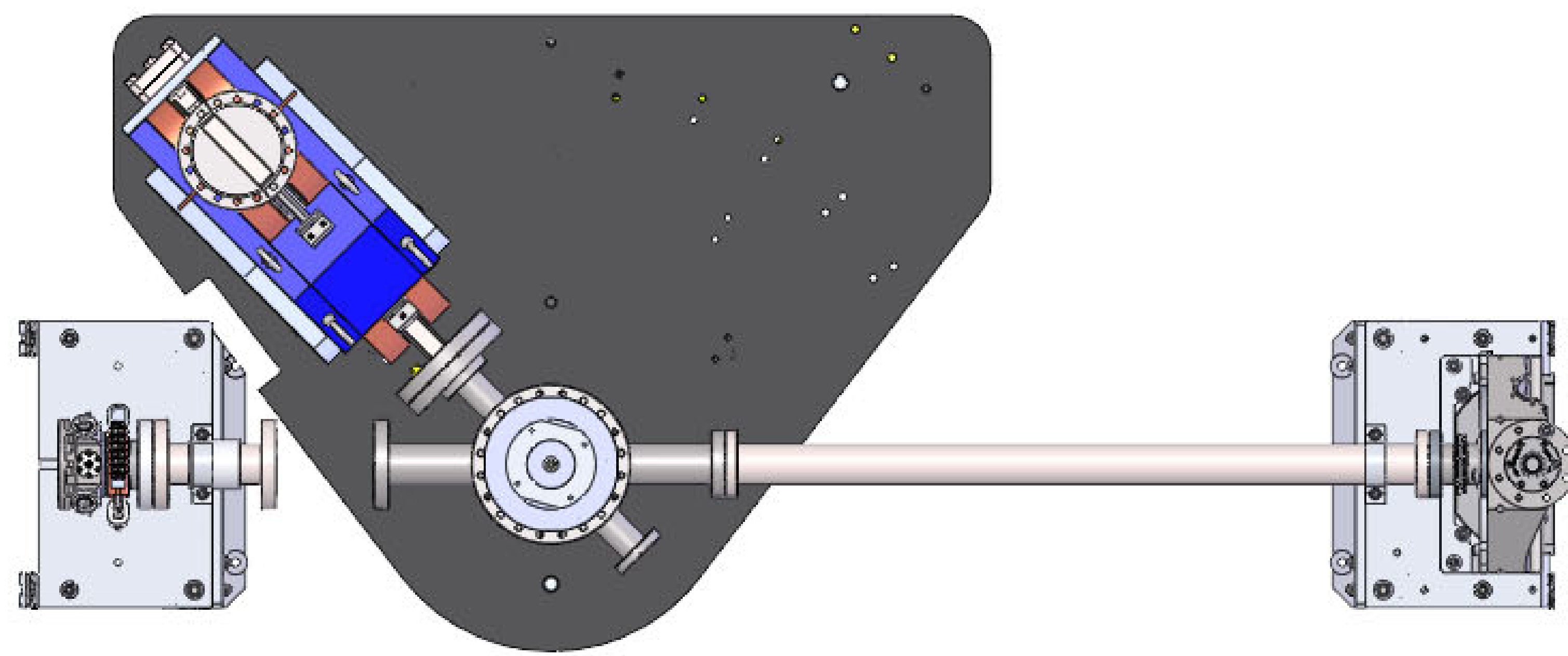



REVISIONS				
ZONE	REV.	DESCRIPTION	DATE	APPROVED



MATERIAL: SEE PARTS LIST		MIT BATES RESEARCH AND ENGINEERING CENTER 	
UNLESS OTHERWISE SPECIFIED, DIMENSIONS ARE IN INCHES. TOLERANCES ARE: FRACTIONS: DECIMALS: ANGLES: 1/32 .001 .01° XXX .005 11°		SURFACE FINISH: MAXIMUM ALL MACHINED SURFACES NA	
DRAWN BY: APPROVED BY:	DATE: 1/22/2022	PART #: SCALE: 1:5	MODEL REVISION: SHEET #: E 10F1

ERRORS