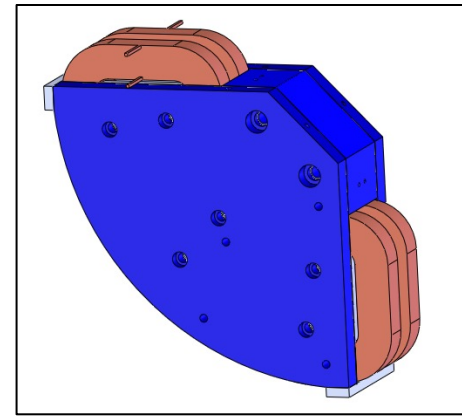
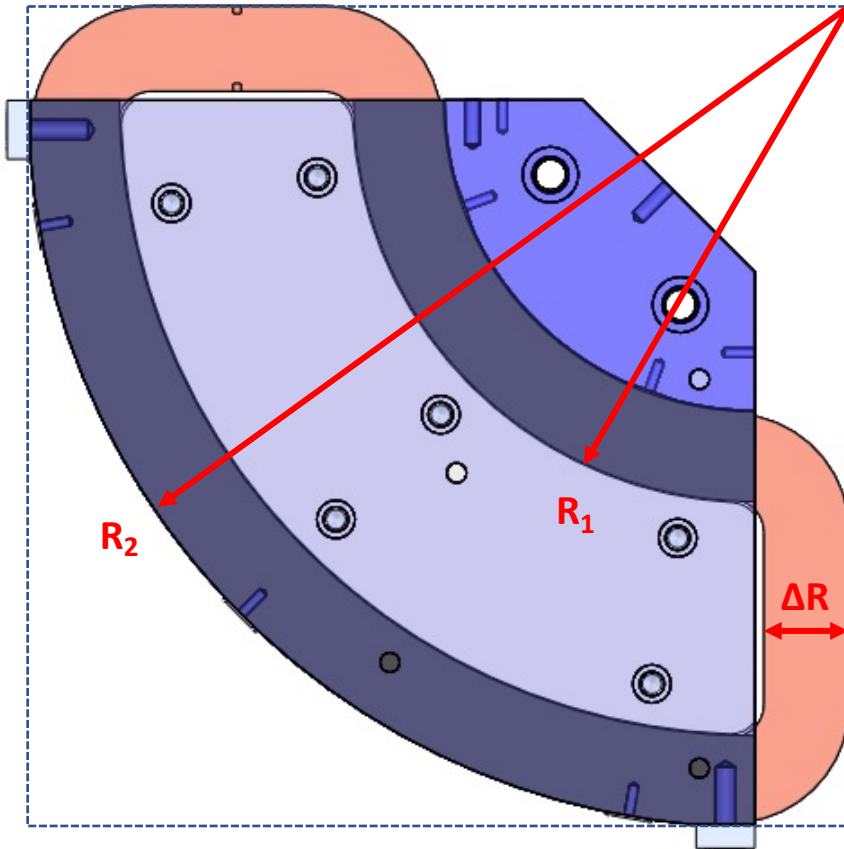


# Magnetic design by Ernie and Chris in November 2021

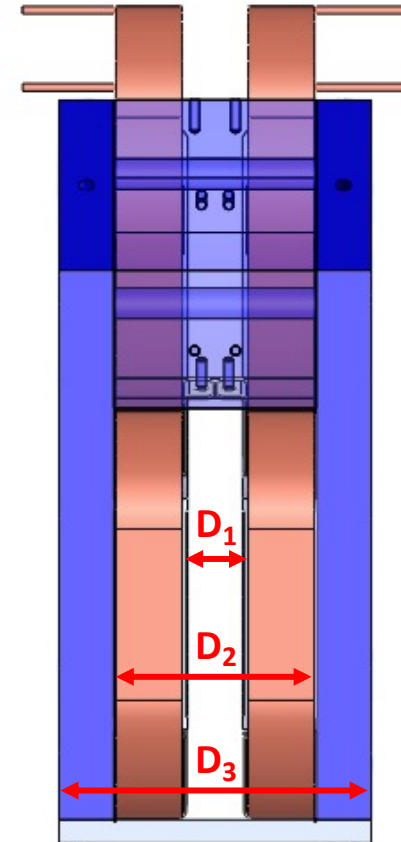


$R_2 = 390.5 \text{ mm}$

$R_1 = 215.5 \text{ mm}$



$\Delta R = 46 \text{ mm}$



$D_1 = 36 \text{ mm}$

$D_2 = 108 \text{ mm}$

$D_3 = 170 \text{ mm}$