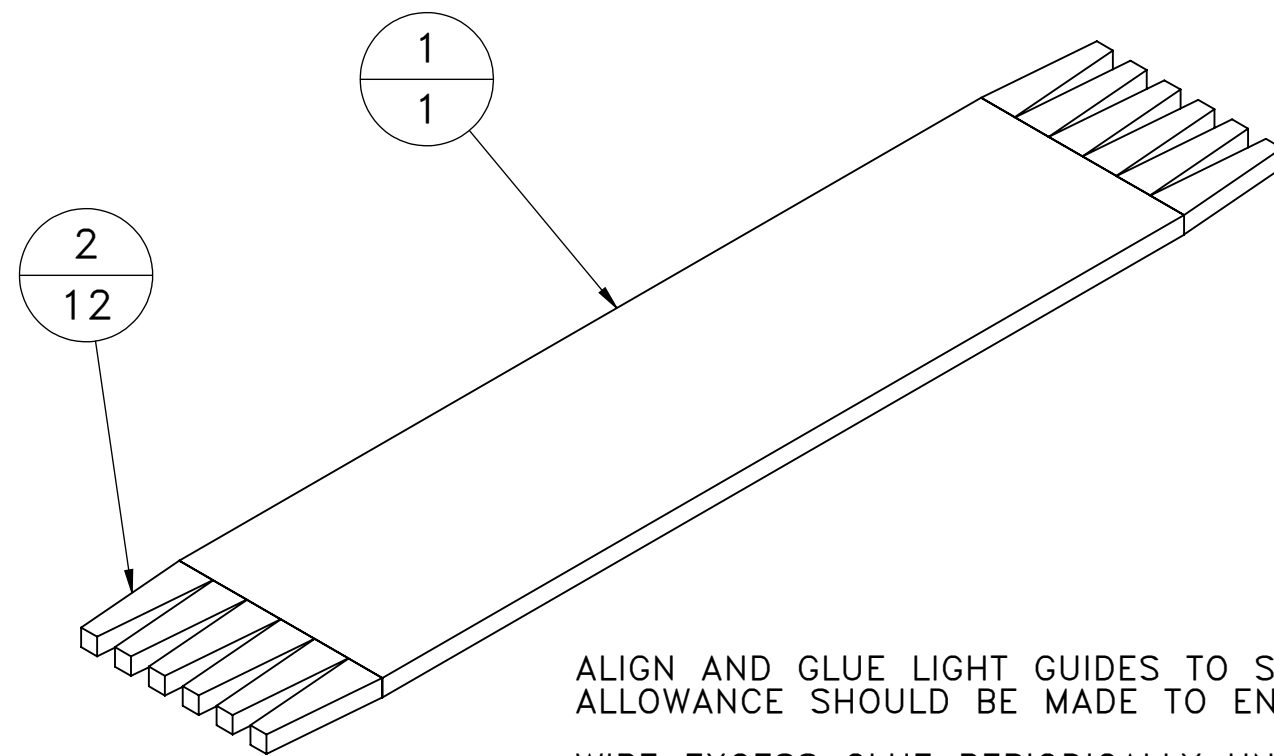
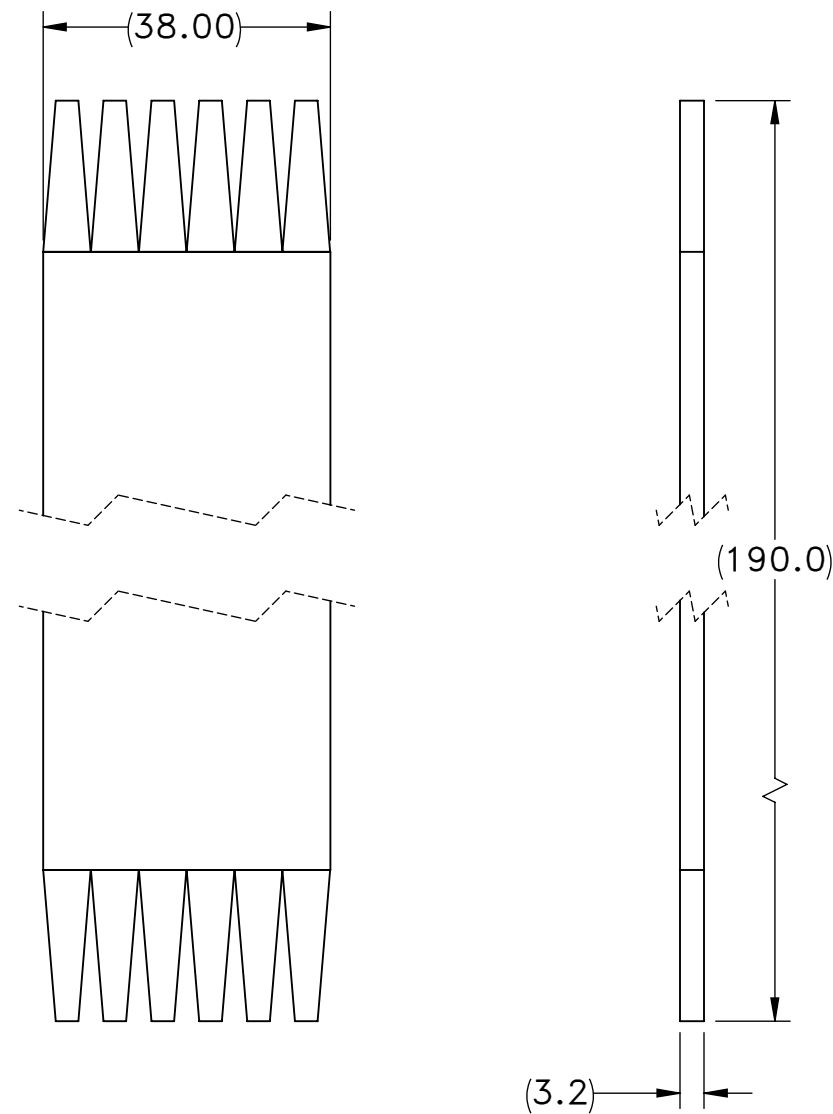


ITEM	REF No.	DESCRIPTION	MATERIAL	QTY.
1	TDE3221	SCINTILLATOR PLATE	BC-404	1
2	TDE3222	WEDGE LIGHT GUIDE 20	UVT Light Guide	12

DIMENSIONS QUOTED ARE FINISHED DIMENSIONS, NO ALLOWANCE HAS BEEN MADE FOR MANUFACTURE. INTERPRET DIMENSIONING AND TOLERANCING AS PER ASME Y14.5-2009. REMOVE ALL BURRS AND SHARP EDGES.




ALIGN AND GLUE LIGHT GUIDES TO SCINTILLATOR PLATE  
ALLOWANCE SHOULD BE MADE TO ENSURE COUNTER IS FLAT

WIPE EXCESS GLUE PERIODICALLY UNTIL SET

WRAP COUNTER IN ALUMINIZED MYLAR & BLACK VINYL (TEDLAR)  
AFTER FULL CURE (MIN. 24 HR)

PRE-GLUE WEIGHT: ~21G

PERMIT TO PRACTICE	1003150				
TOLERANCES UNLESS OTHERWISE SPECIFIED		REV	DATE	REVISION DESCRIPTION	BY
DECIMALS	X ± 0.5				
	.X ± 0.2				
	.XX ± 0.1				
ANGULAR	± 1°				
SURFACE FINISH	1.6 μm				
ALL DIMS IN MILLIMETRES		 <p>Canada's particle accelerator centre Centre canadien d'accélération des particules</p> <p>4004 Wesbrook Mall, Vancouver, BC, V6T 2A3, Canada</p>			
<p>DO NOT COPY, THIS DOCUMENT CONTAINS PROPRIETARY INFORMATION</p> <p>THIS DRAWING, SUBJECT MATTER AND INFORMATION CONTAINED THEREIN, IS THE SOLE, EXCLUSIVE AND CONFIDENTIAL PROPERTY OF TRIUMF LABORATORY, AND AS SUCH, SHALL NOT BE DISCLOSED, COPIED, REPRODUCED OR USED, IN WHOLE OR IN PART, WITHOUT EXPRESSED WRITTEN PERMISSION OF THE TRIUMF LABORATORY OR ITS REPRESENTATIVES.</p>		DESIGNED Philip Lu	SUB-ASSY		
		DRAWN Philip Lu	ASSEMBLY		
		CHECKED Nicolas Massacret			
		WPN #			
		TRACKING # 0547			
		SCALE 1:1		DWG NO. TDE3220	
		DATE 2022-09-12		SIZE B SHEET 1 OF 1	
		THIRD-ANGLE PROJECTION		REV	