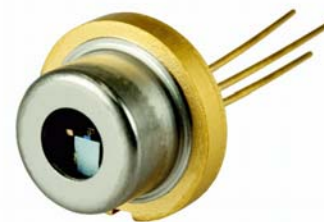


## Laser Diode



M9-852-0150



### Description

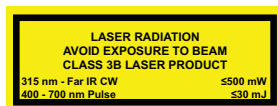
Thorlabs Ø9 mm, TO-can package discrete laser diode is a compact light source suited to many applications. Our lasers are fully compatible with our entire line of Laser Diode and TEC Controllers as well as our selection of Laser Diode Mounts and Collimation Solutions.

### Specifications

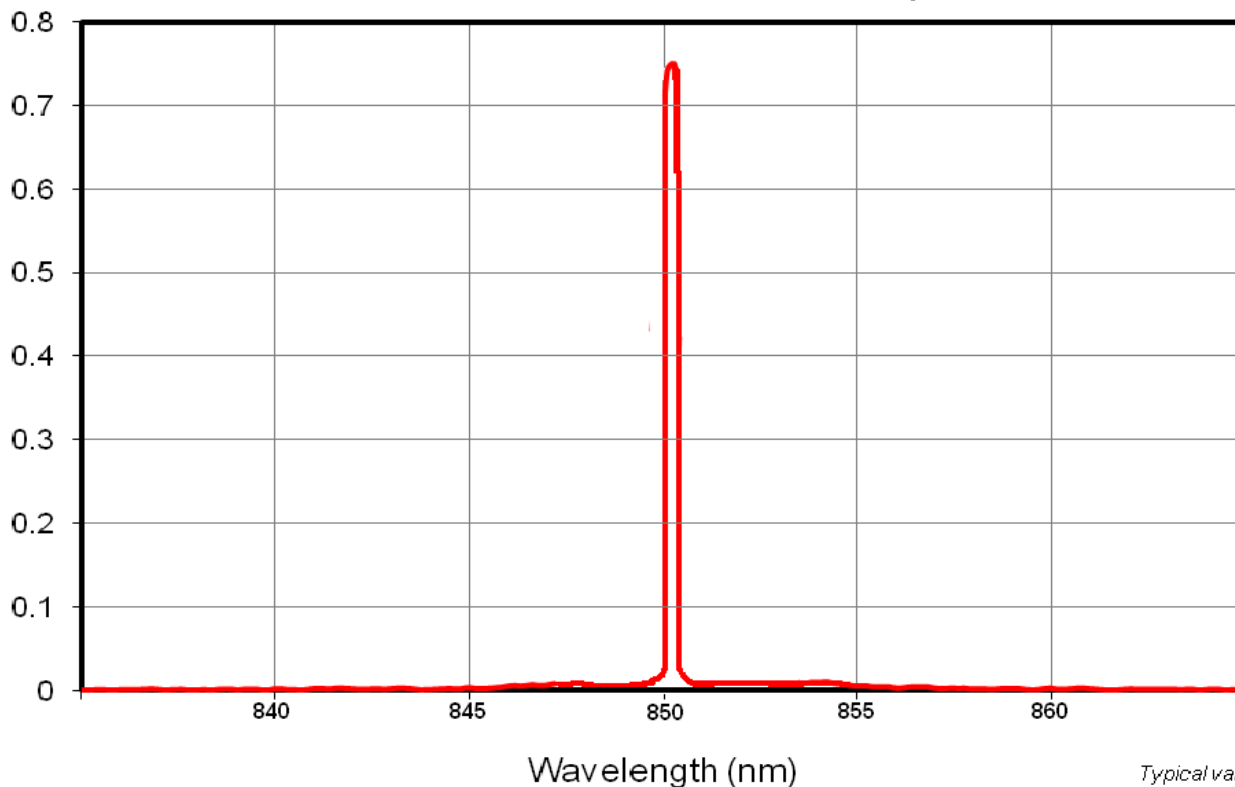
( $P_o = 150 \text{ mW}$ ,  $T_c = 25 \text{ }^\circ\text{C}$ )

Specification	Symbol	Max
Storage Temperature,	$^\circ\text{C}$	-40 to +80
Operation Case Temperature,	$^\circ\text{C}$	-20 to +50
Lead Soldering Temp. (5 sec)	$^\circ\text{C}$	250

Specification	Symbol	Min	Typ	Max
Wavelength, nm	$\lambda_p$	847	852	857
Spectrum, nm FWHM		-	0.5	2
Output Power, mW	$P_o$	-	150	-
Operation Current, mA	$I_{op}$	-	170	220
Operating Voltage, V	$V_{op}$	-	1.9	2.2
Kink-Free Power, mW		160	-	-
Lifetime Hour	hr	100,000	-	-
Vertical Far Field FWHM	deg	-	18	23
Parallel Far Field FWHM	deg	-	8	10
Threshold Current, mA	$I_{th}$	-	20	40
Slope Efficiency, mW/mA	$\eta$	0.9	1.0	-

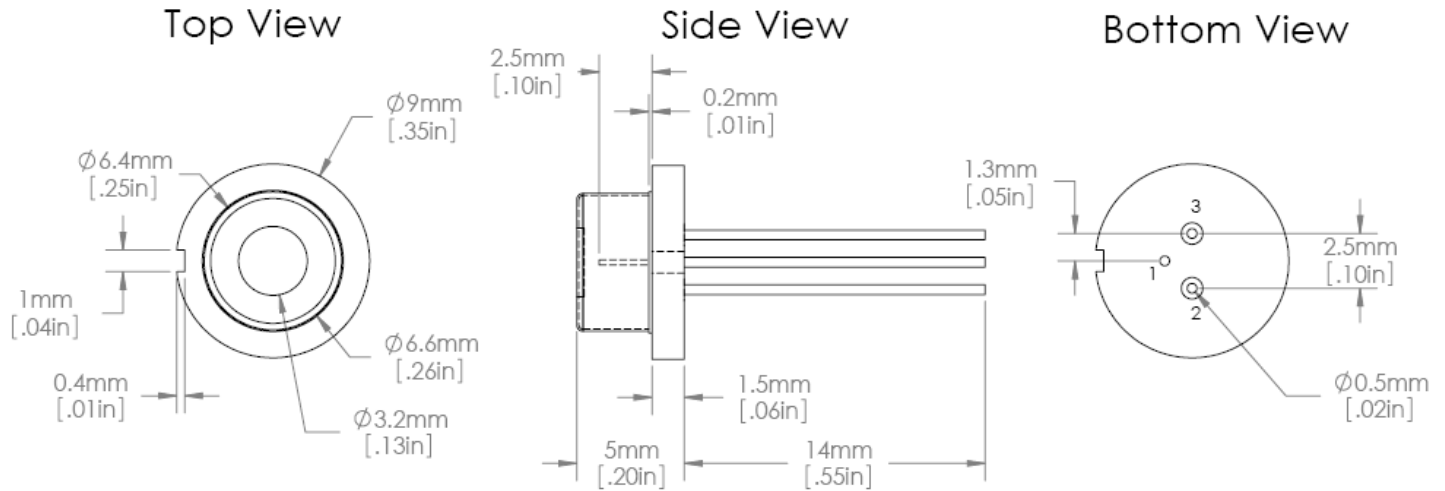


M9-852-0150 Normalized Output Power

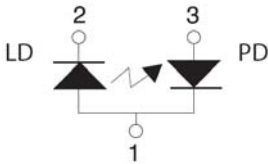


Typical values only

## Drawings



### Pin Code A



### Pin Description

- 1 Case Common
- 2 Laser Cathode
- 3 Monitor Diode Anode

#### USA, Canada, and South America

Thorlabs, Inc.  
435 Route 206  
Newton, NJ 07860, USA

Tel: 973-579-7227  
Fax: 973-300-3600

#### Europe

Thorlabs GmbH  
85221 Dachau, Germany  
Tel: +49-(0)8131-5956-0

#### Scandinavia

Thorlabs Sweden AB  
400 20 Göteborg, Sweden  
Tel: +46-31-733-30-00

#### UK and Ireland

Thorlabs LTD.  
Cambridgeshire CB7 4EX, GB  
Tel: +44 (0)1353-654440

#### Japan and Asia

Thorlabs Japan Inc.  
Bunkyo-ku, Tokyo 112-0012, Japan  
Tel: +81-3-5979-8889

#### France

Thorlabs SAS  
78600 Maisons-Laffitte, France  
Tel: +33 (0) 970 444 844

#### China

Thorlabs China  
Shanghai, China  
Tel: +86 (0)21-32513486

